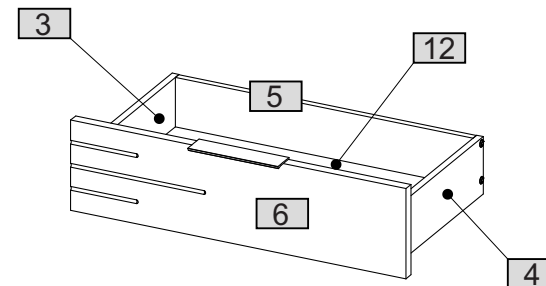
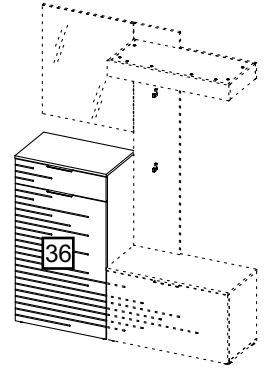
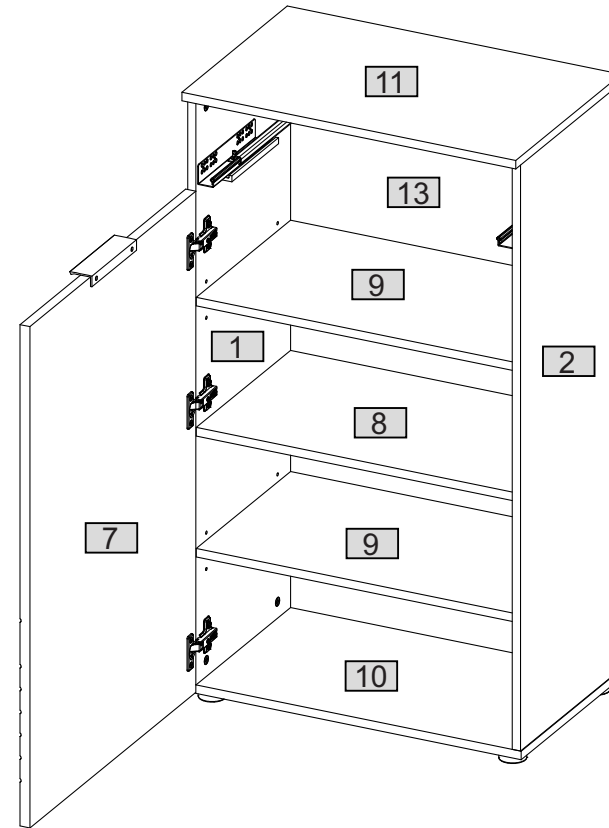
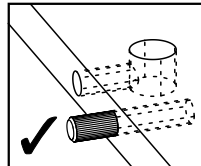
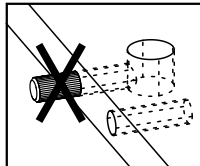
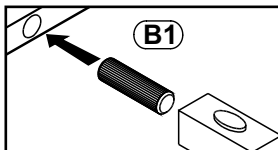
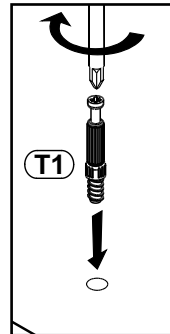
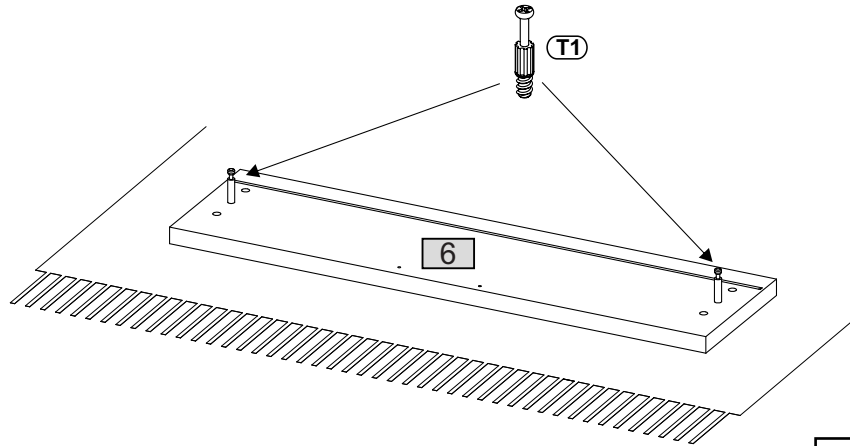
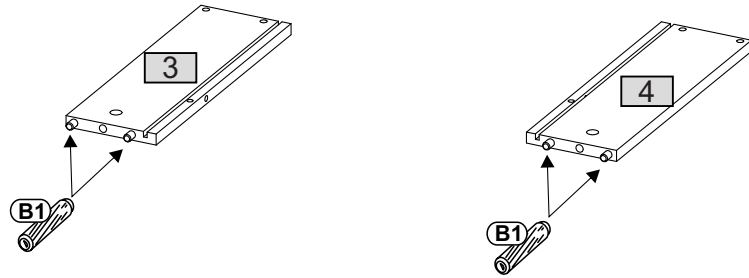
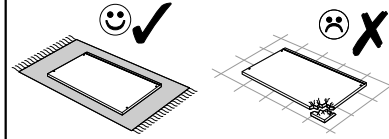
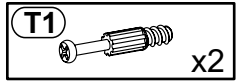
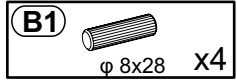


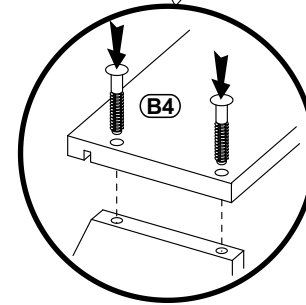
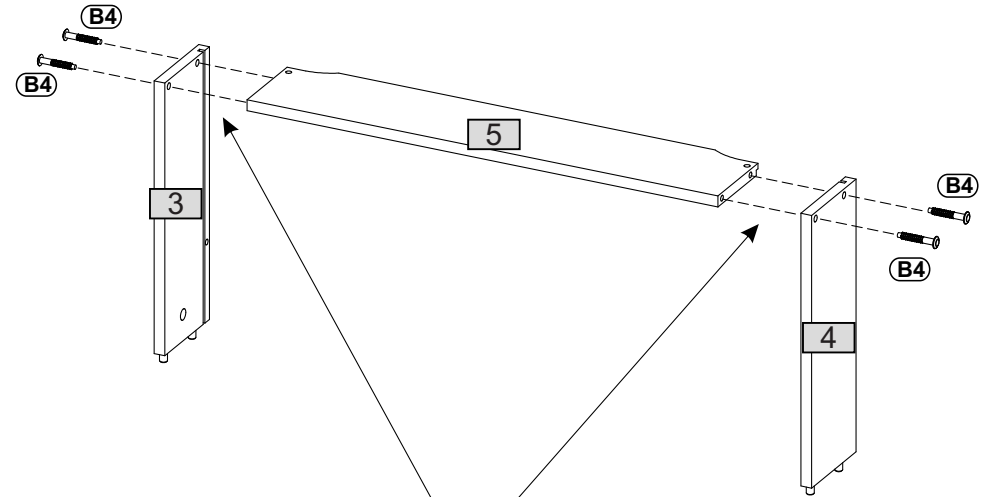
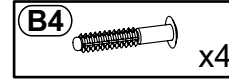
| Nr | Ausmaß | | | St | Colli |
|----|--------|-----|----|----|-------|
| 1 | 1032 | 360 | 15 | 1 | 1 |
| 2 | 1032 | 360 | 15 | 1 | 1 |
| 3 | 300 | 100 | 12 | 1 | 4 |
| 4 | 300 | 100 | 12 | 1 | 4 |
| 5 | 529 | 100 | 12 | 1 | 4 |
| 6 | 596 | 157 | 18 | 1 | 3 |
| 7 | 882 | 596 | 18 | 1 | 3 |
| 8 | 568 | 335 | 15 | 1 | 2 |
| 9 | 568 | 335 | 15 | 2 | 2 |
| 10 | 600 | 360 | 15 | 1 | 1 |
| 11 | 600 | 379 | 15 | 1 | 1 |
| 12 | 299 | 540 | 2 | 1 | 3 |
| 13 | 1046 | 582 | 2 | 1 | 3 |



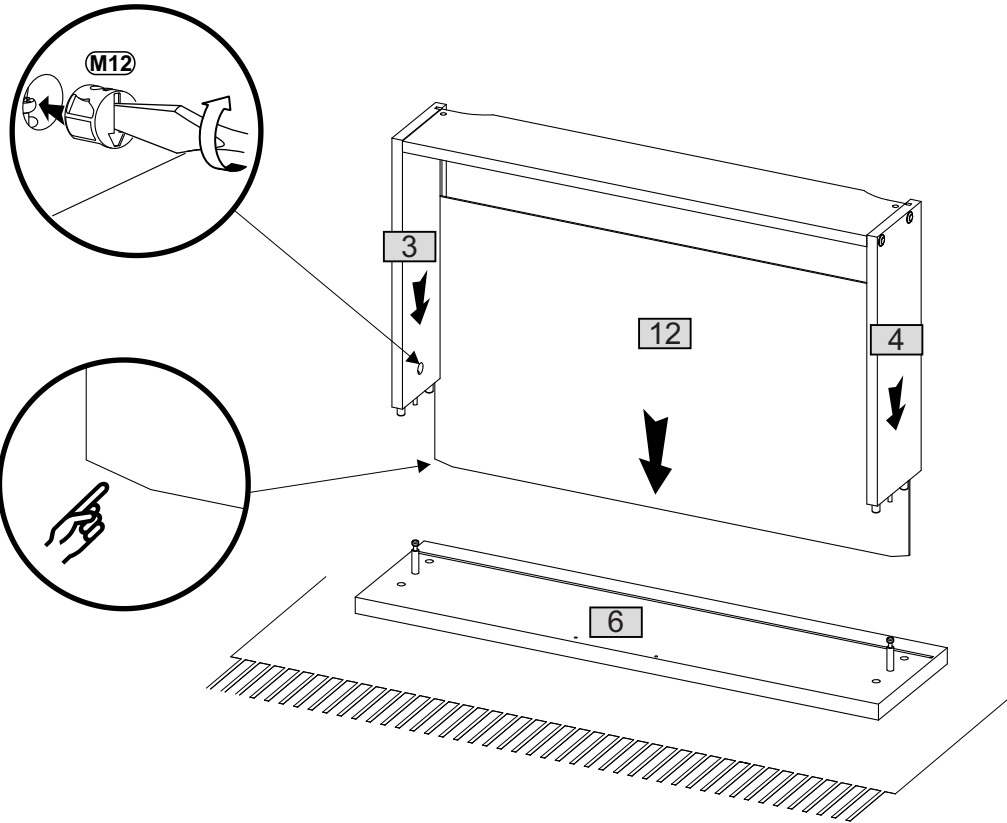
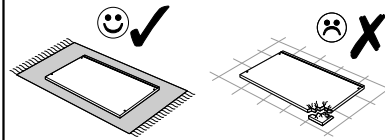
1



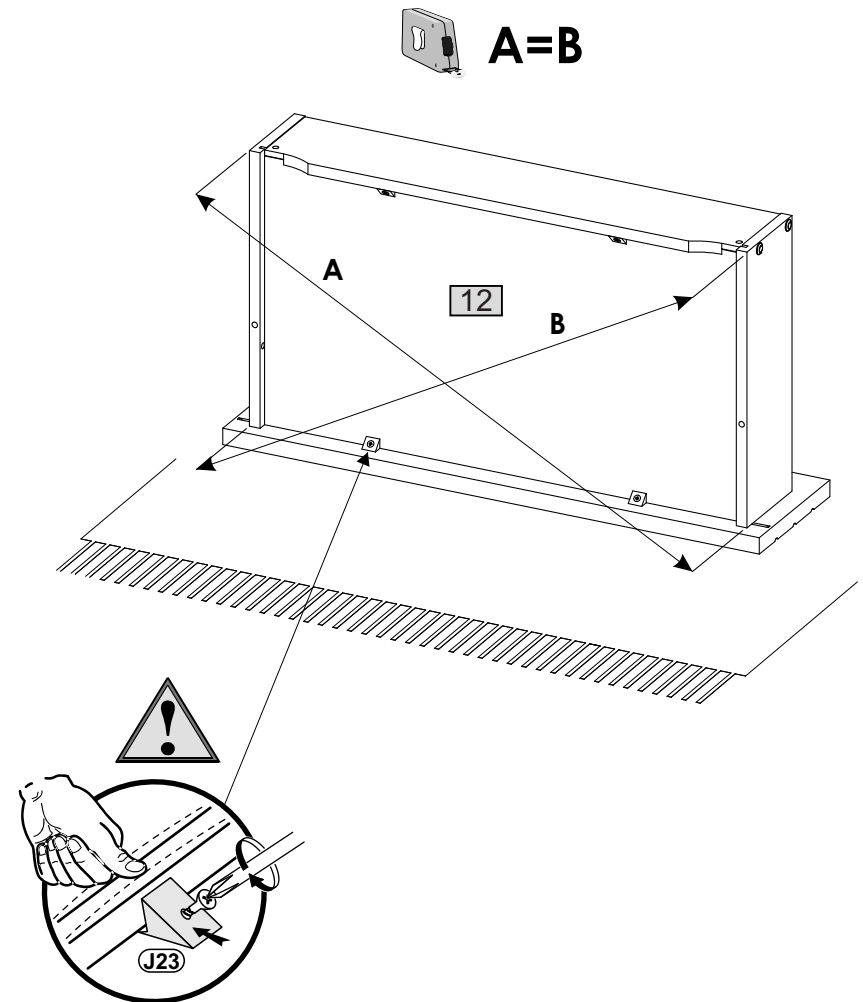
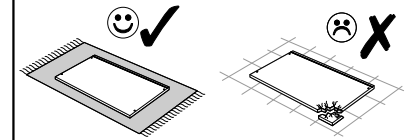
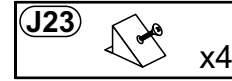
2



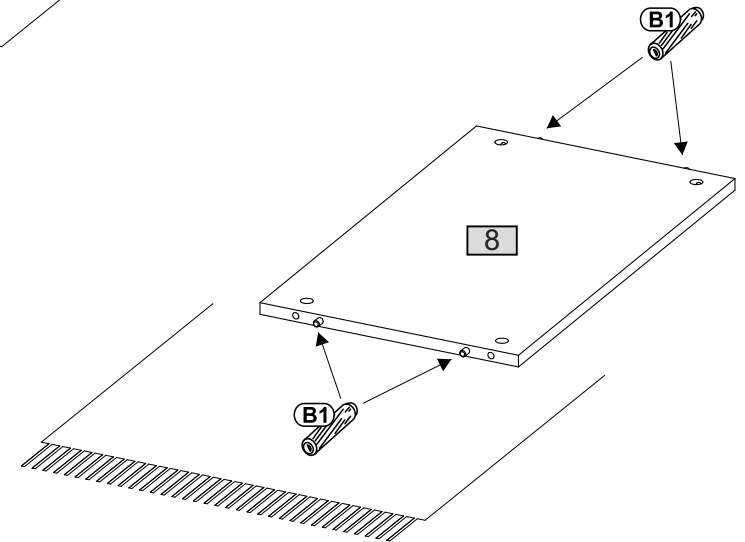
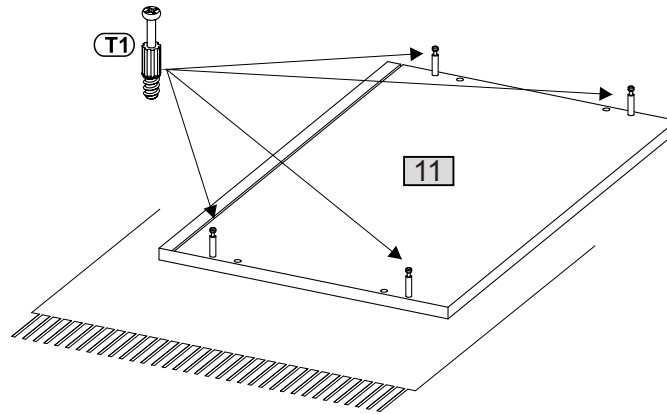
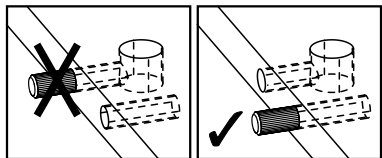
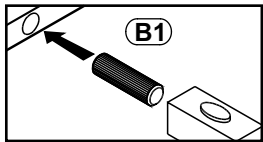
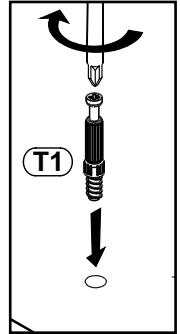
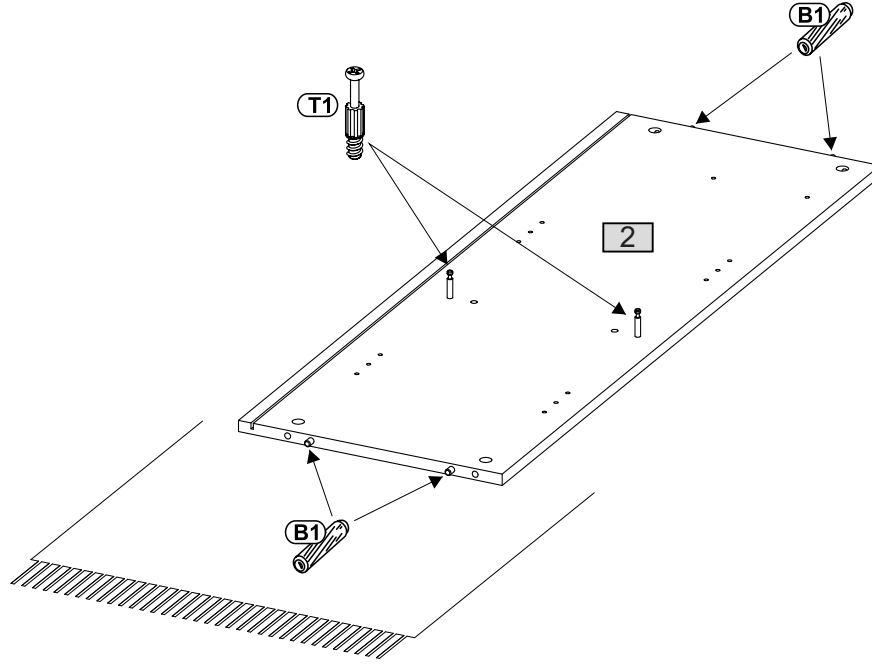
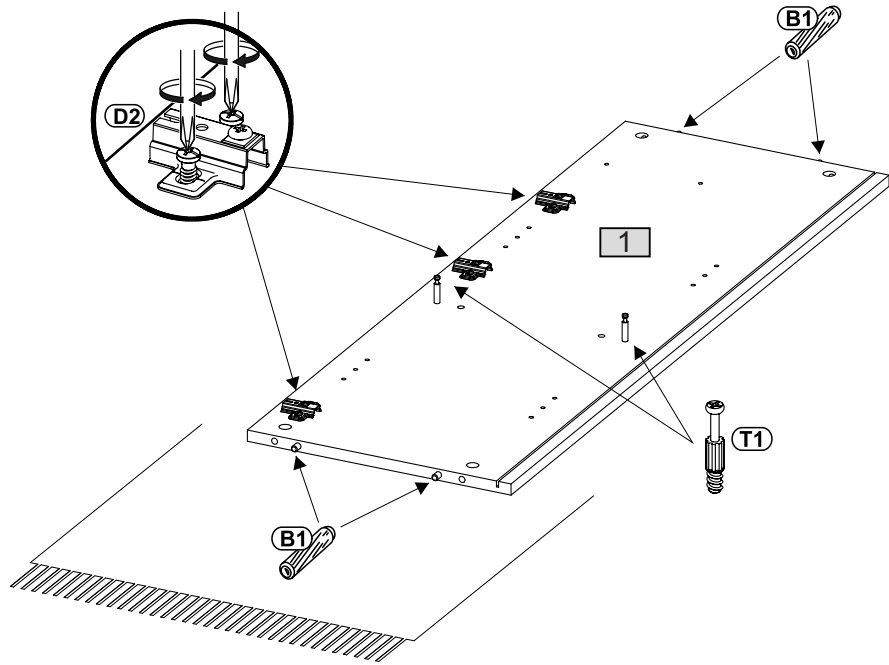
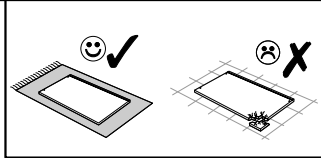
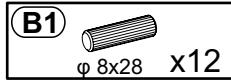
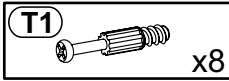
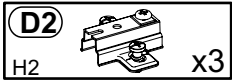
3



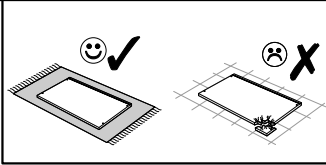
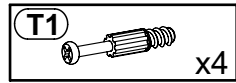
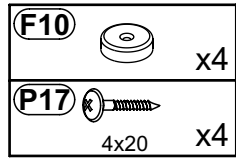
4



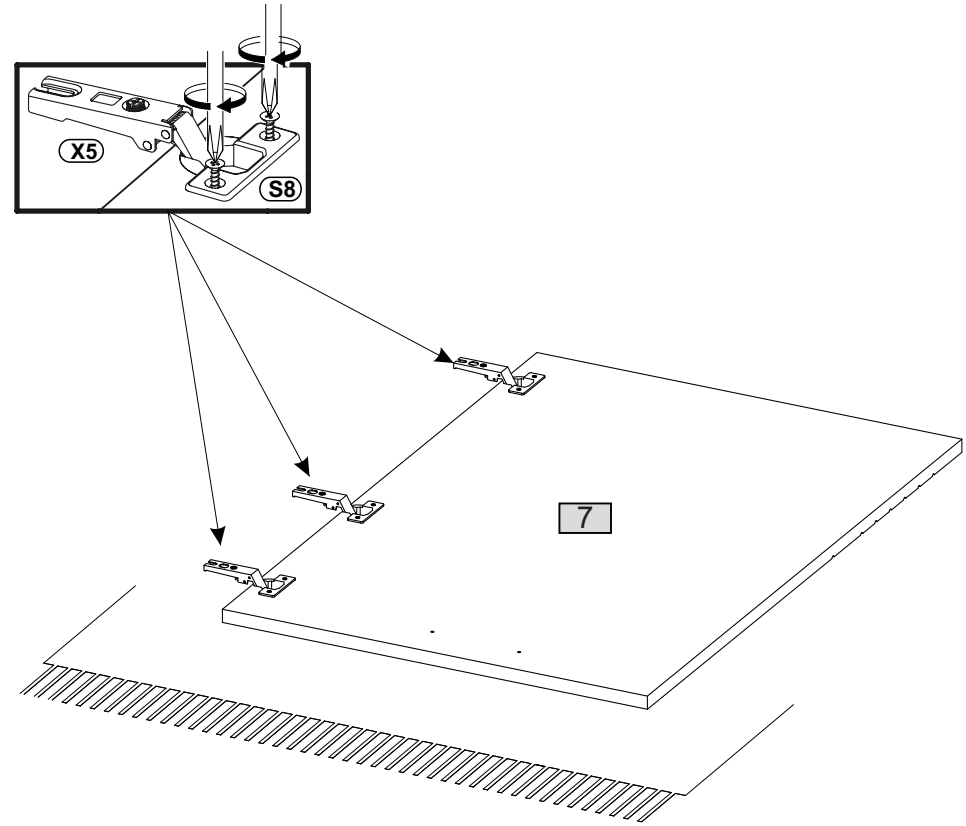
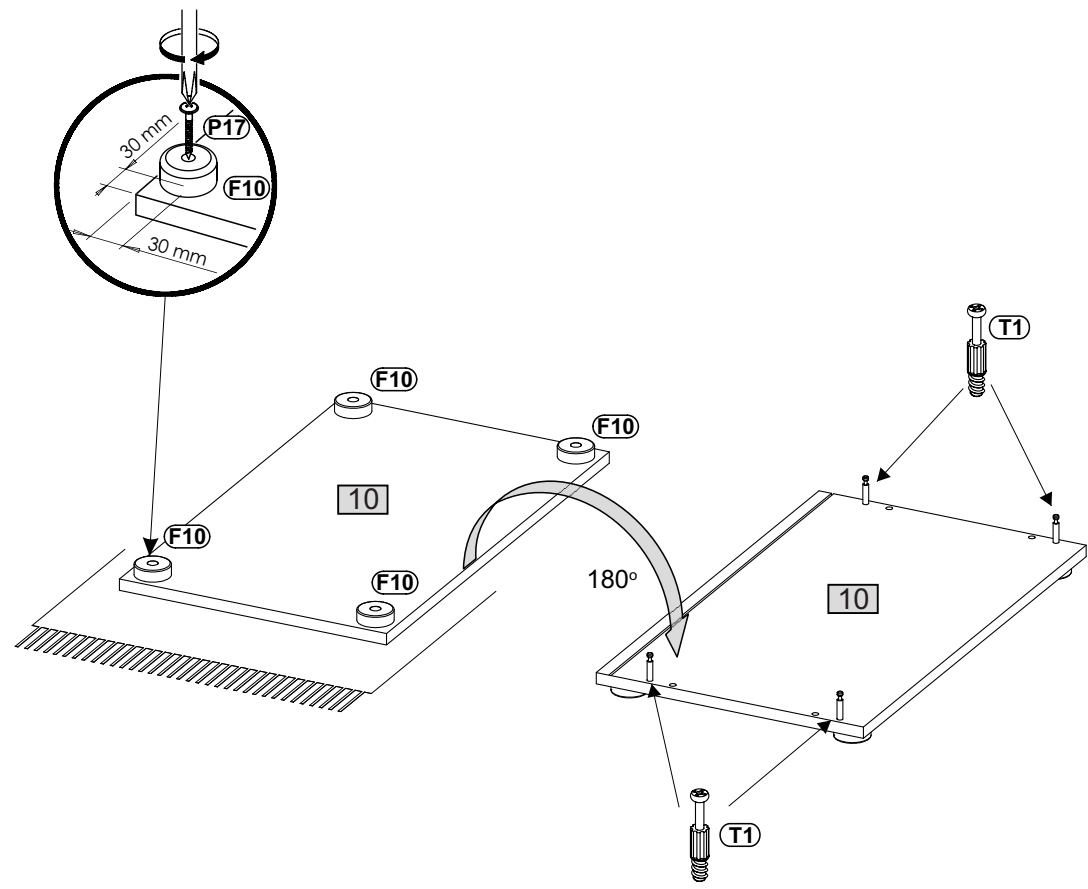
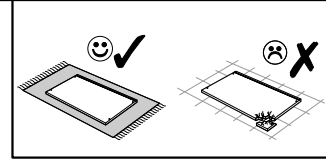
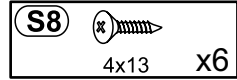
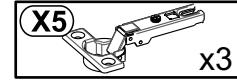
5



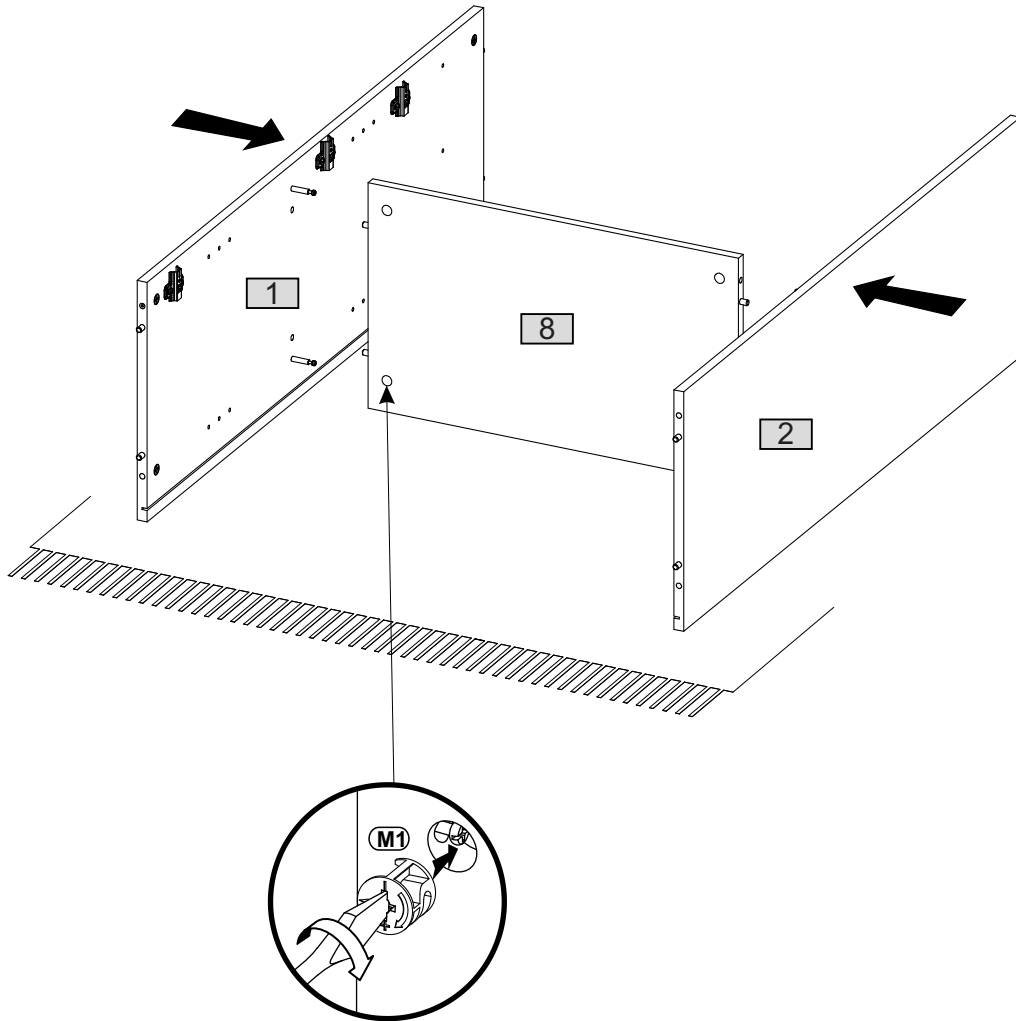
6



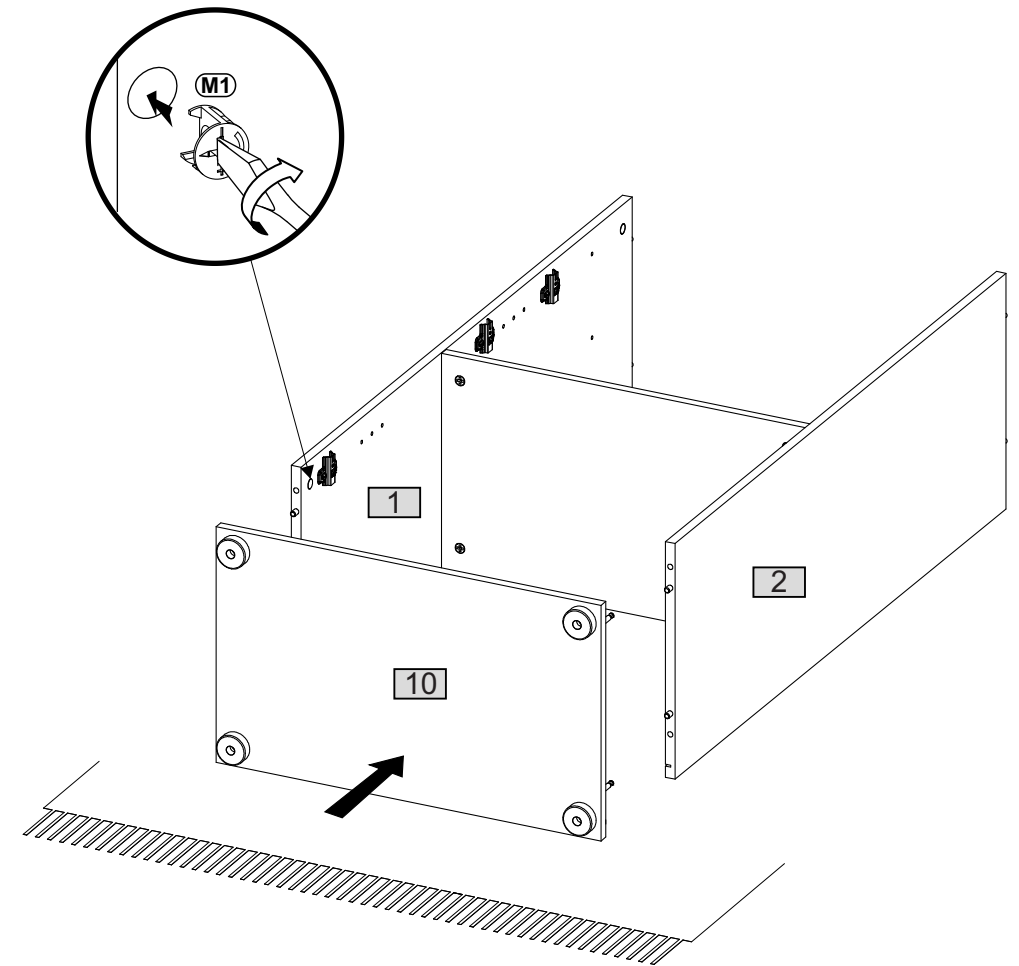
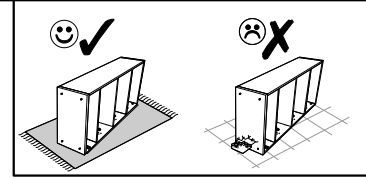
7



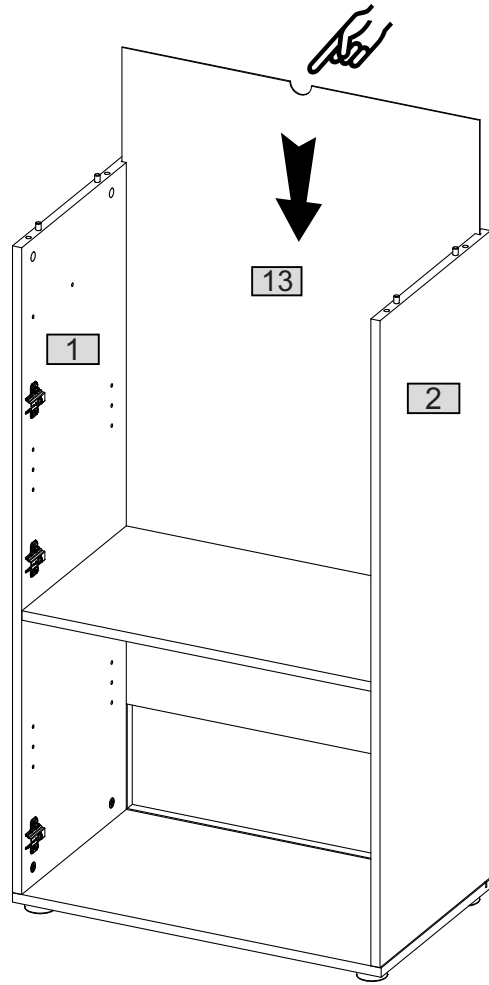
8



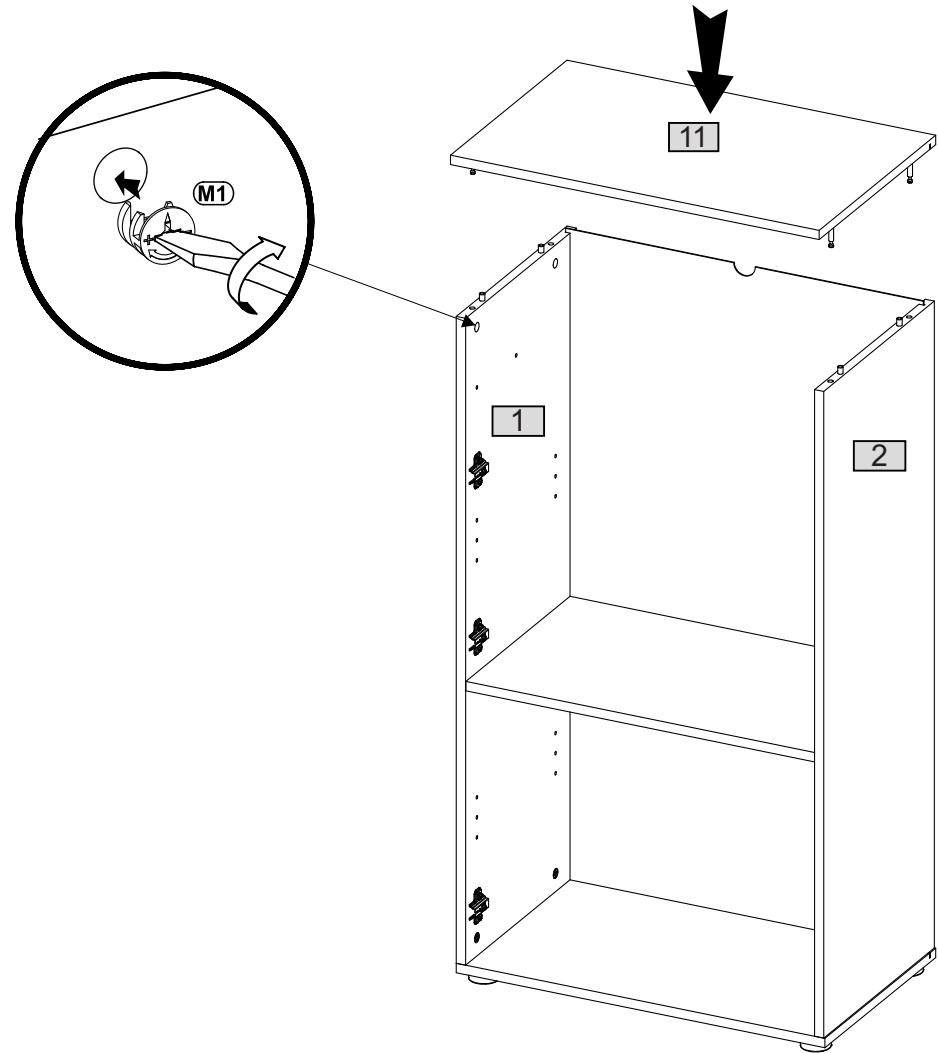
9



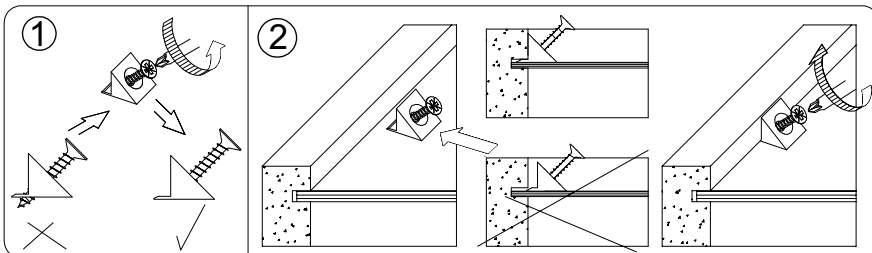
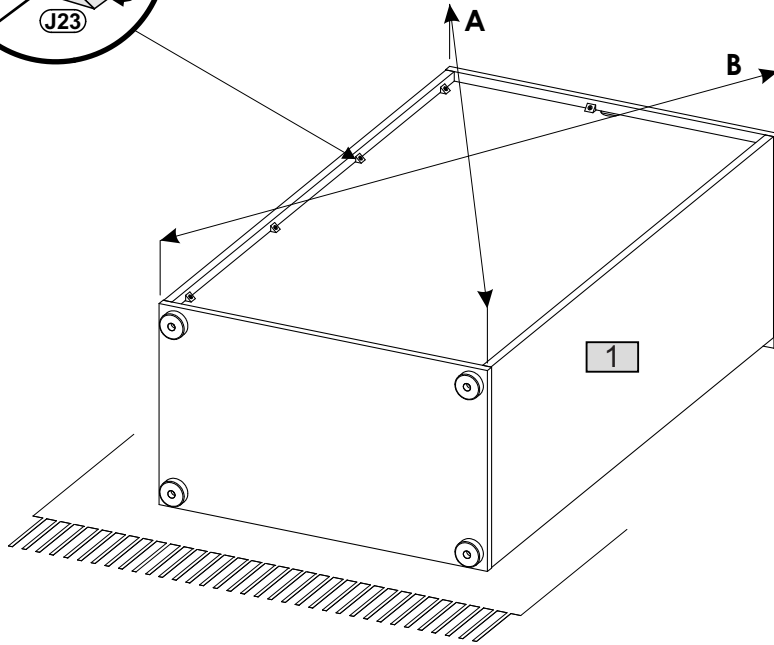
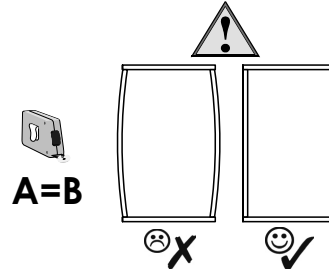
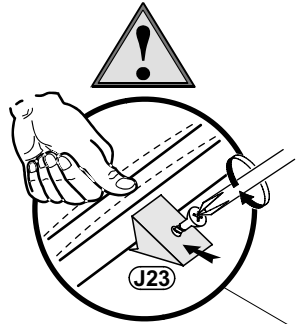
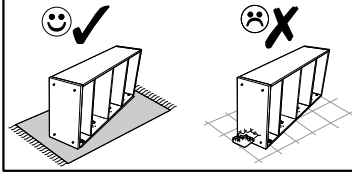
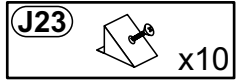
10



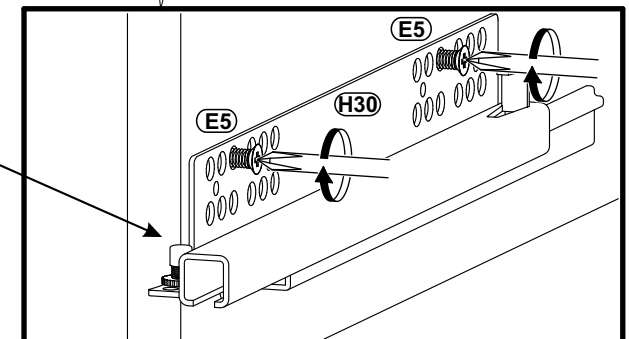
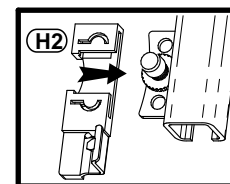
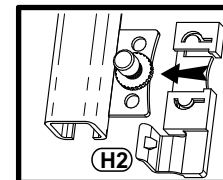
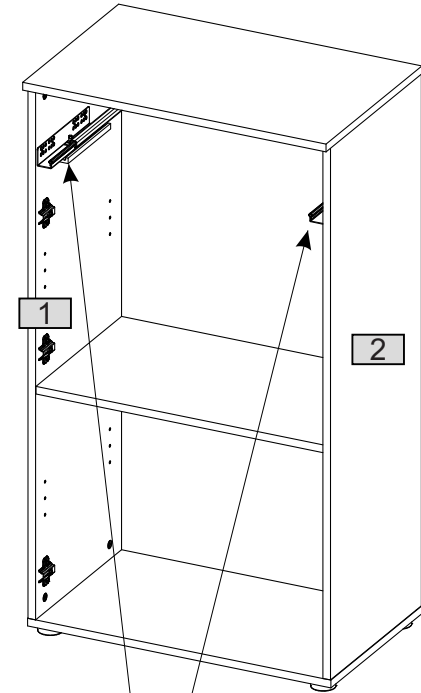
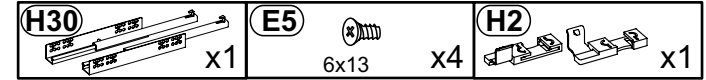
11



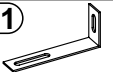
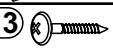
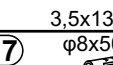
12

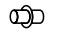


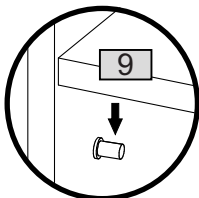
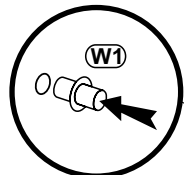
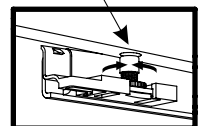
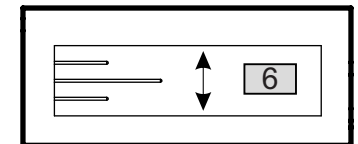
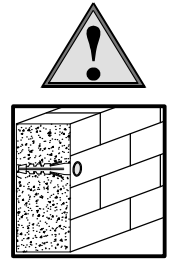
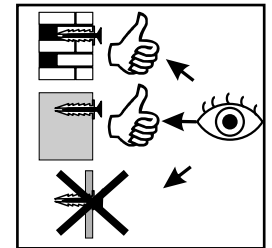
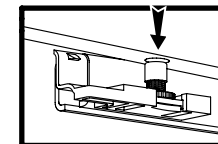
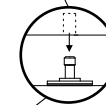
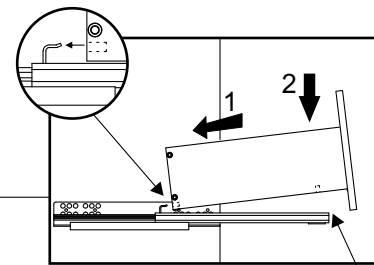
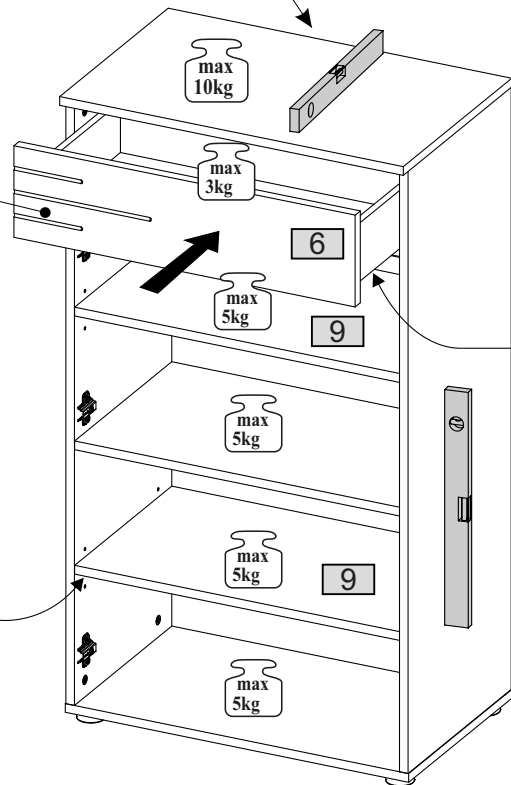
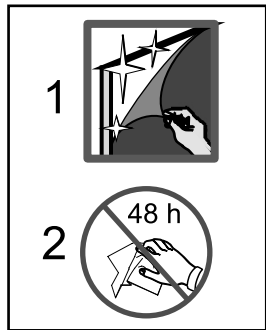
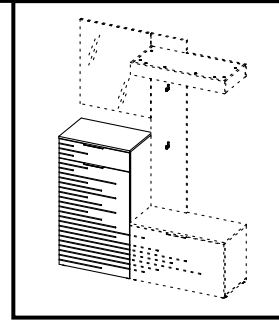
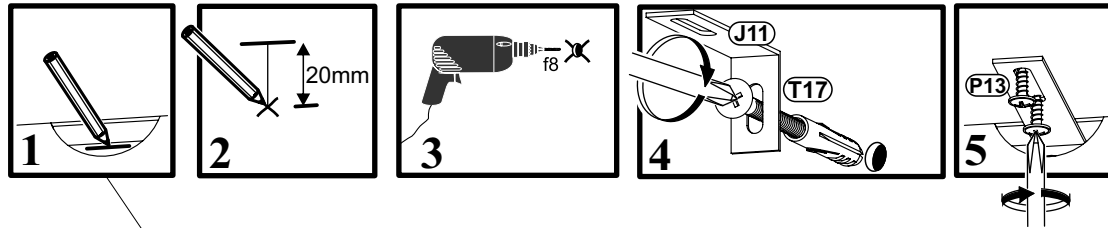
13



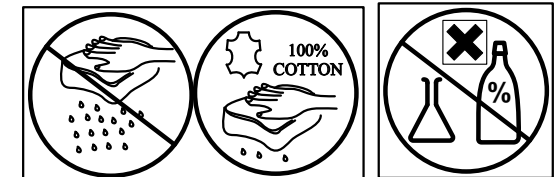
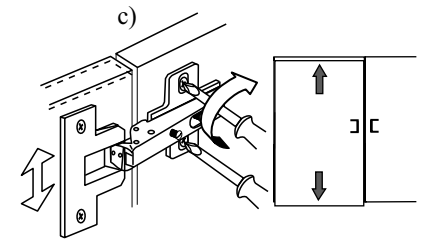
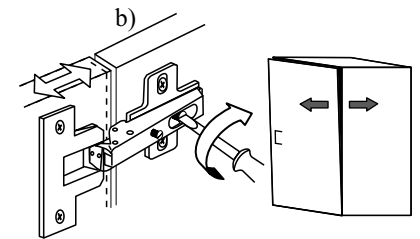
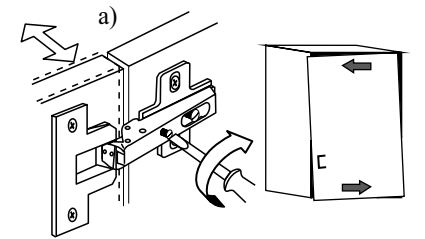
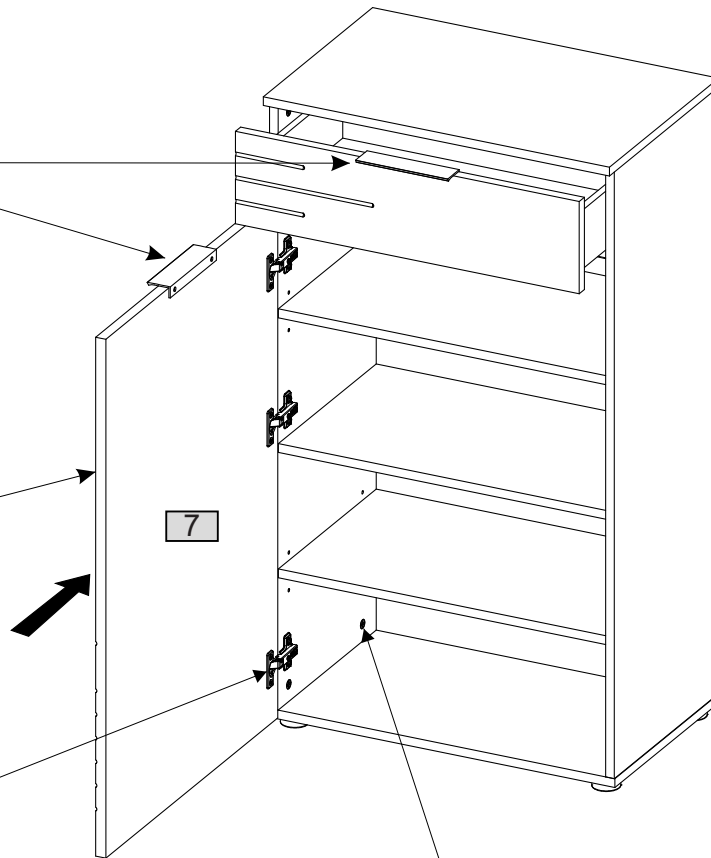
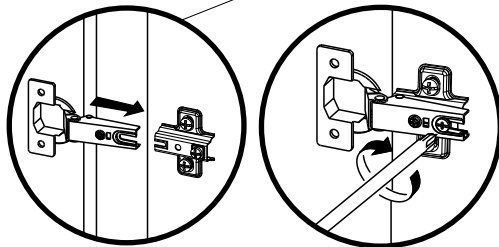
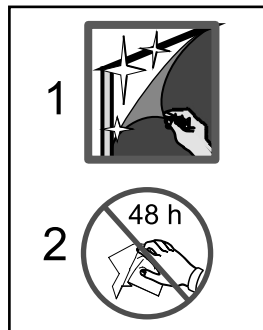
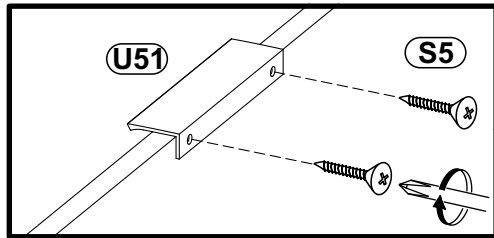
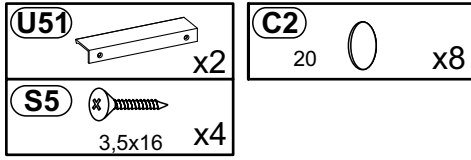
14

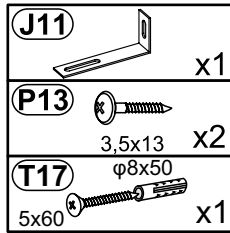
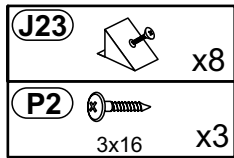
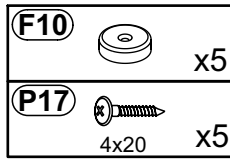
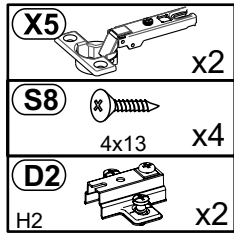
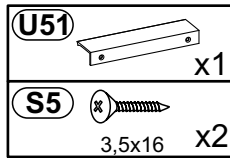
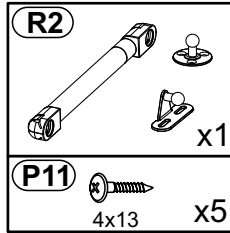
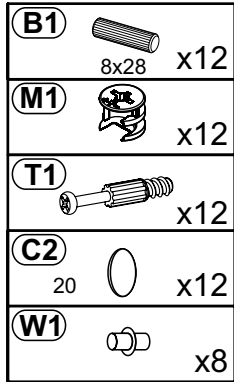
- J11**  x1
- P13**  3,5x13 x2
- T17**  φ8x50 5x60 x1

- W1**  x8

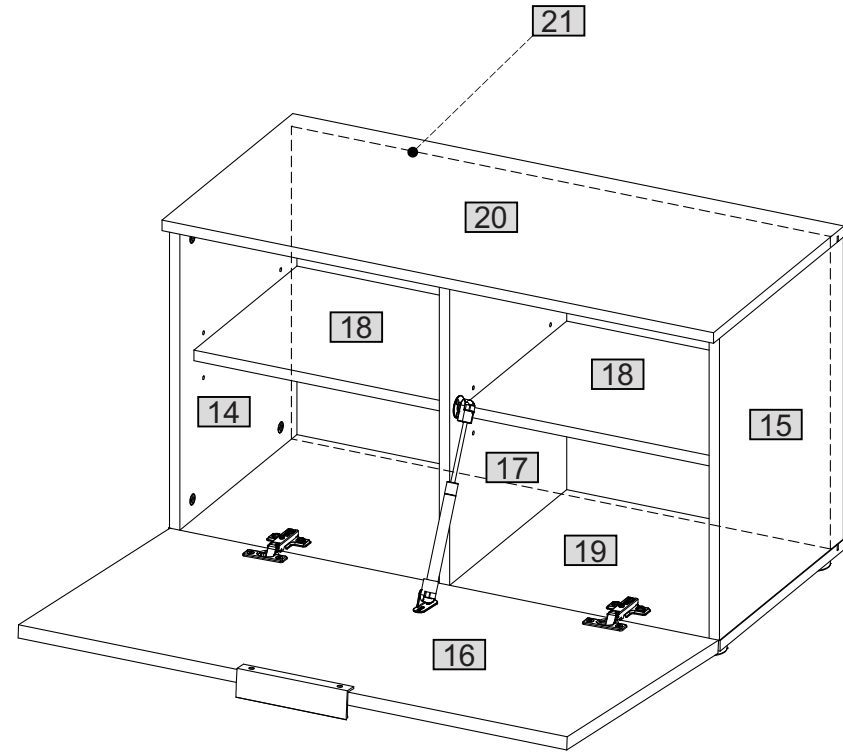
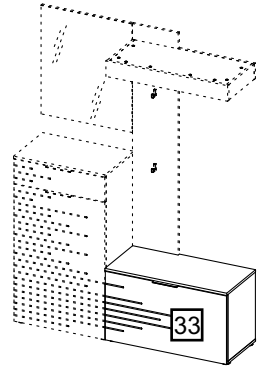


15

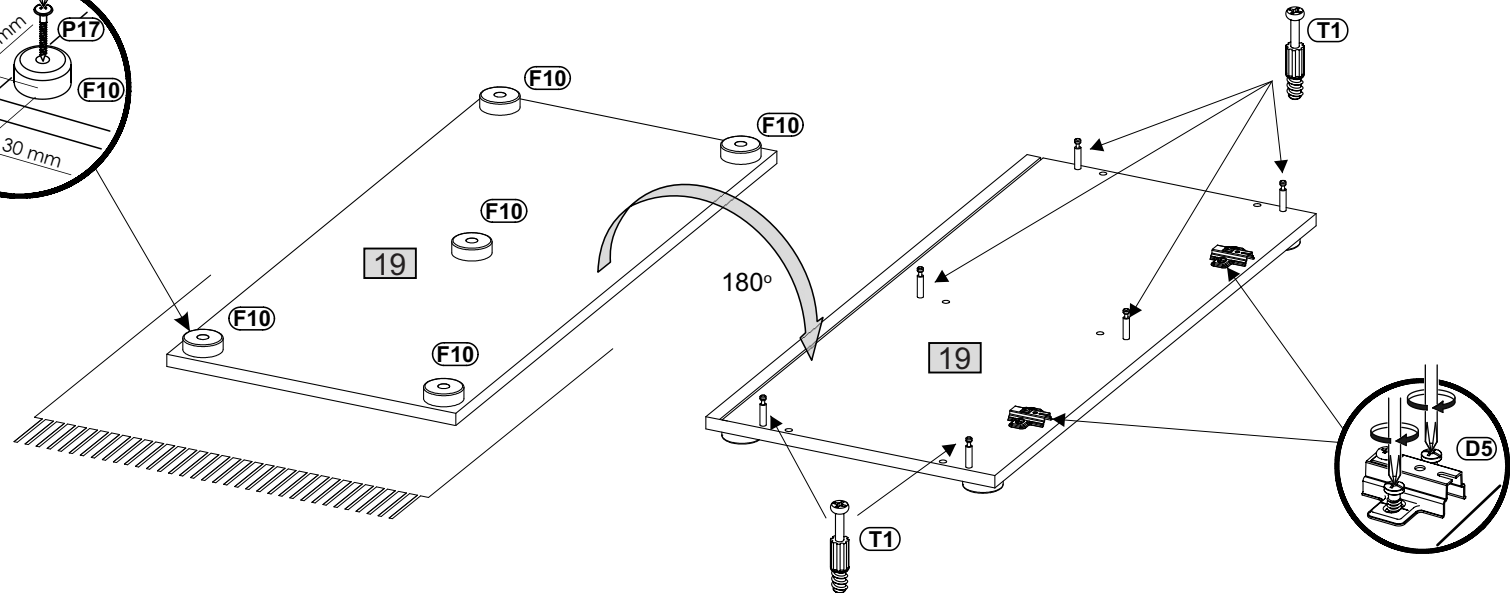
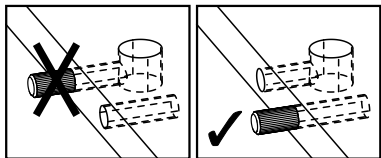
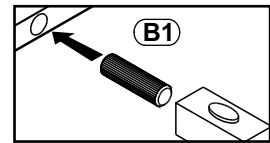
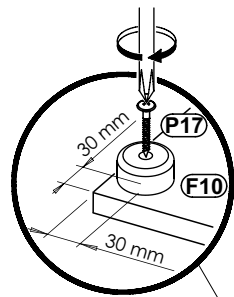
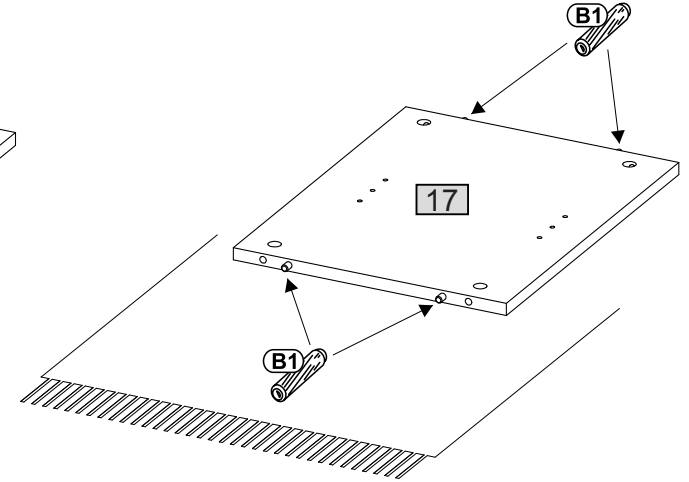
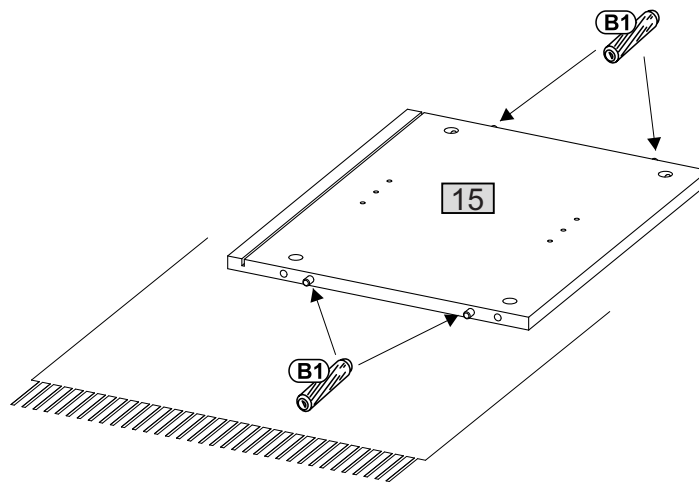
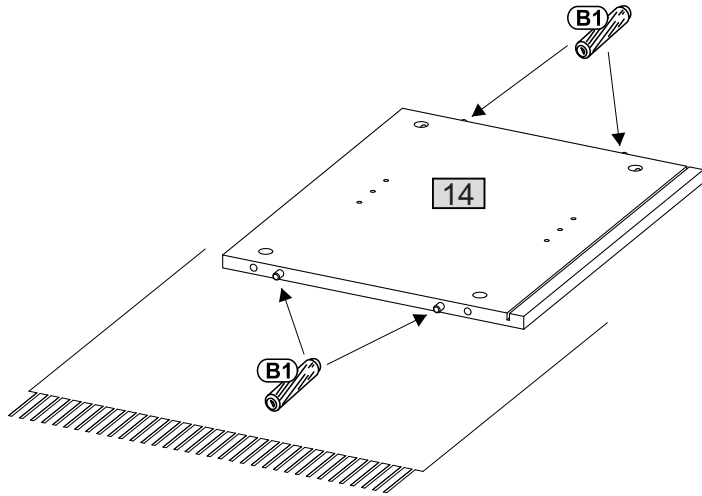
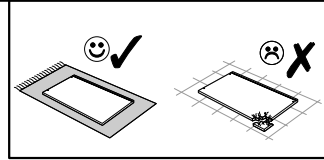
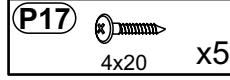
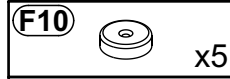
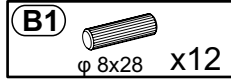
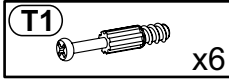
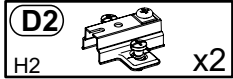




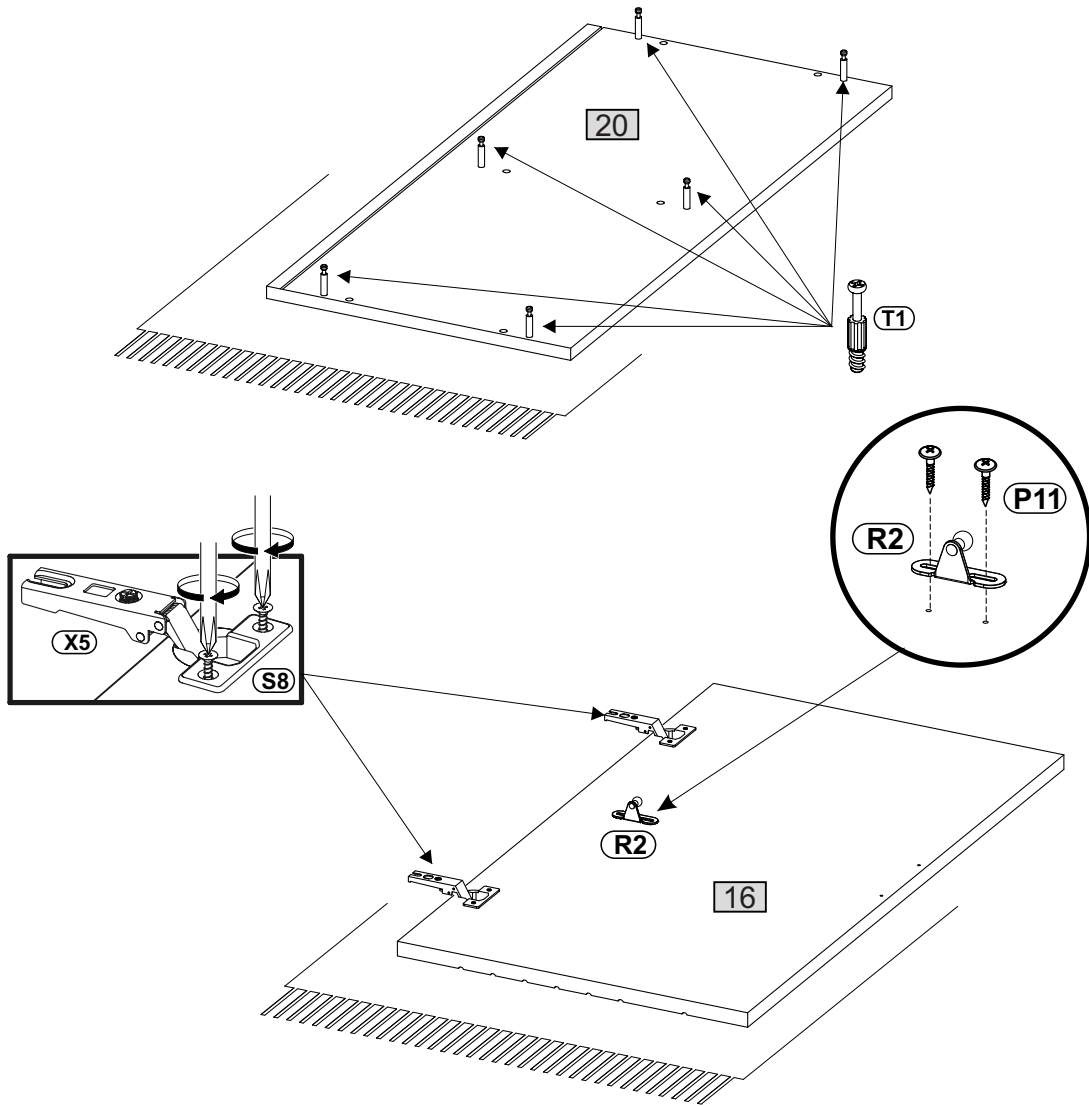
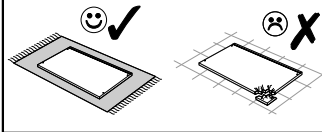
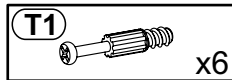
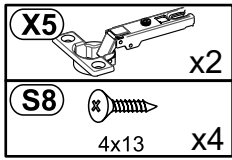
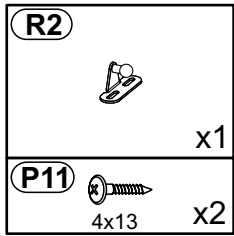
| Nr | Ausmaß | | St | Colli | |
|----|--------|-----|----|-------|---|
| 14 | 430 | 360 | 15 | 1 | 1 |
| 15 | 430 | 360 | 15 | 1 | 1 |
| 16 | 796 | 441 | 18 | 1 | 3 |
| 17 | 430 | 335 | 15 | 1 | 2 |
| 18 | 376,5 | 299 | 15 | 2 | 2 |
| 19 | 800 | 360 | 15 | 1 | 1 |
| 20 | 800 | 379 | 15 | 1 | 1 |
| 21 | 444 | 782 | 2 | 1 | 3 |



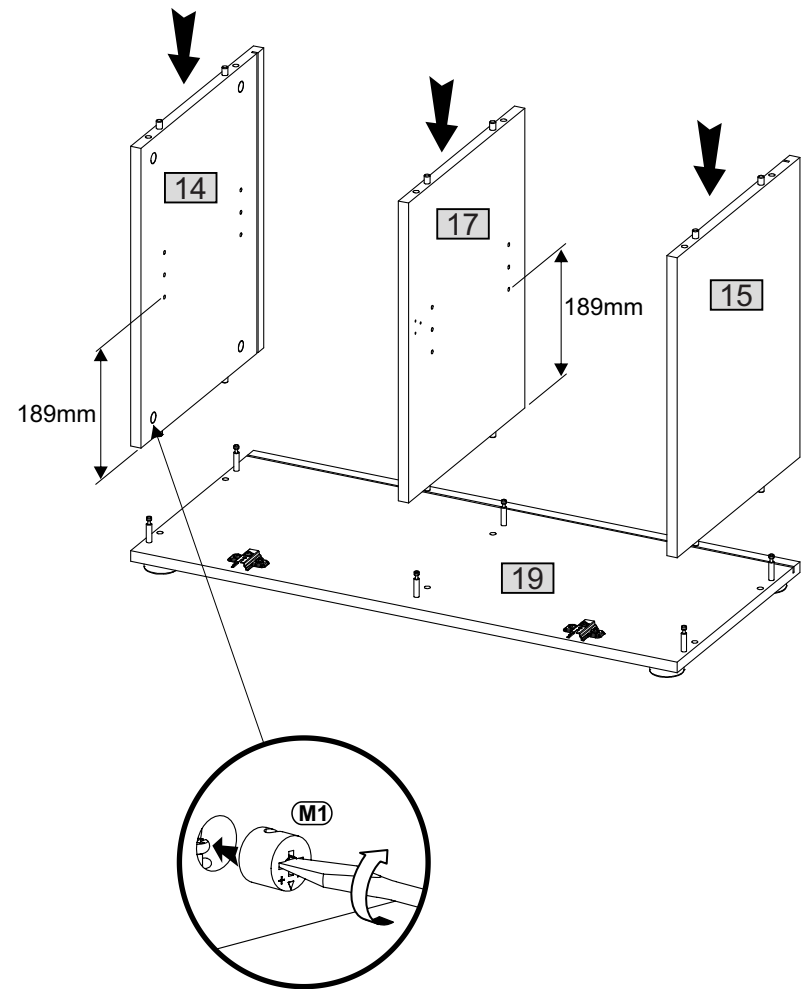
1



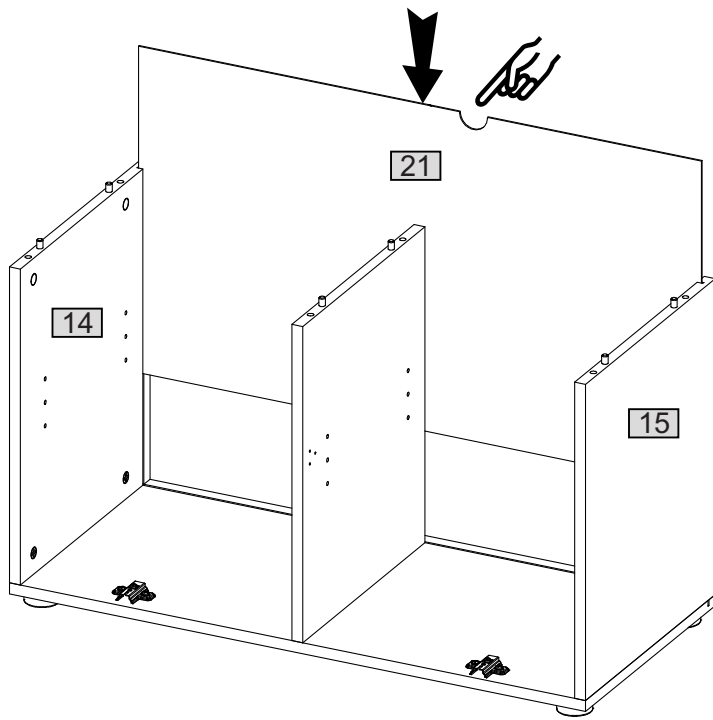
2



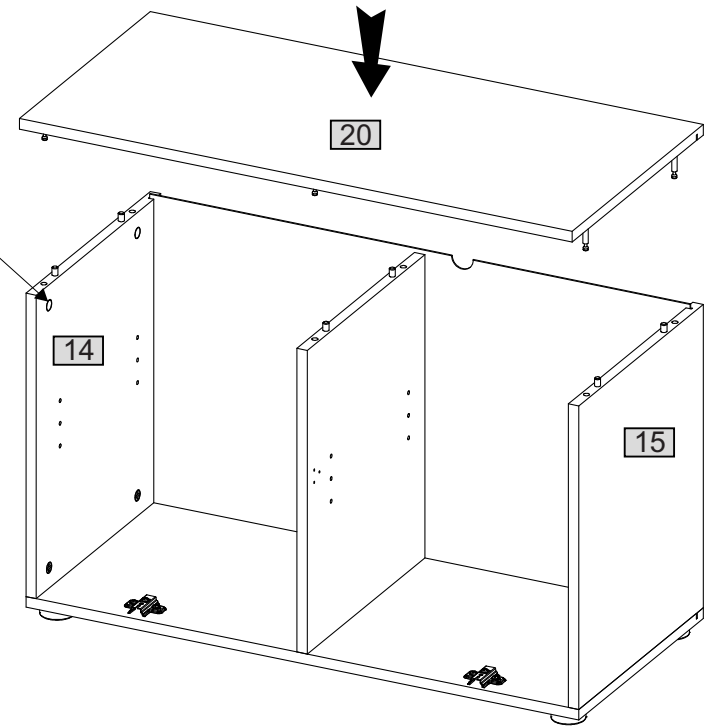
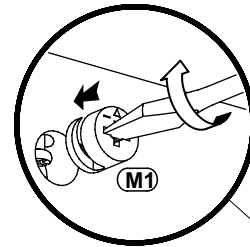
3





4

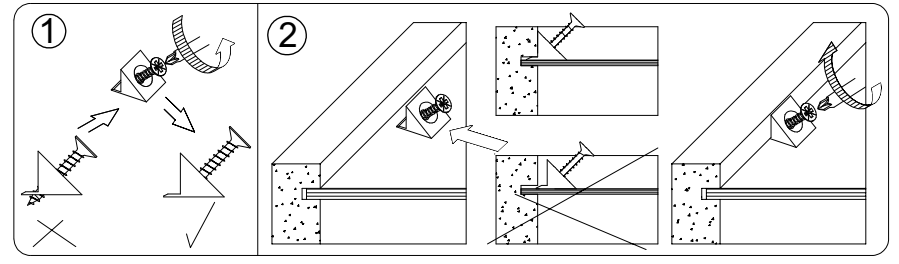
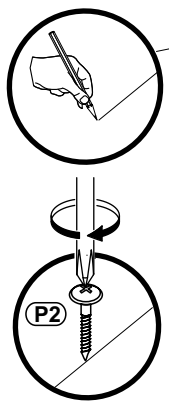
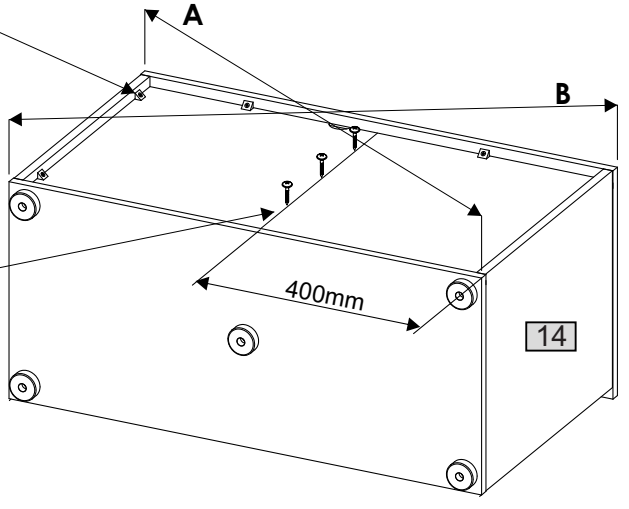
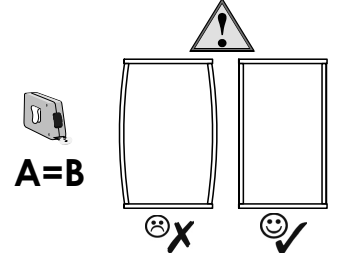
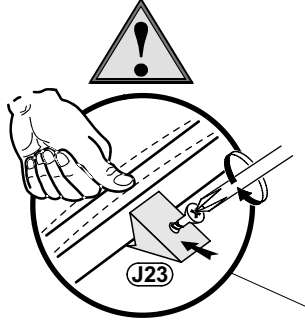
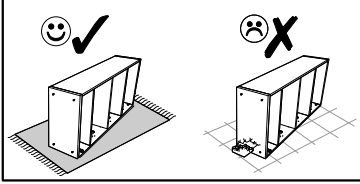


5



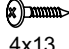


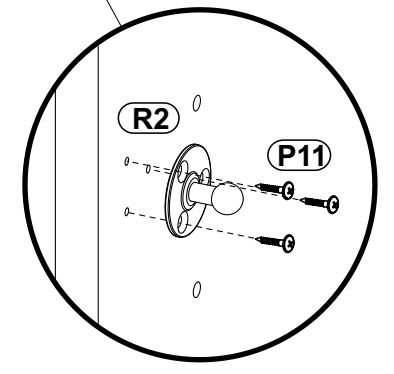
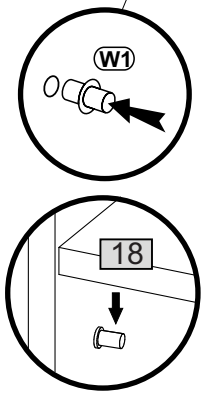
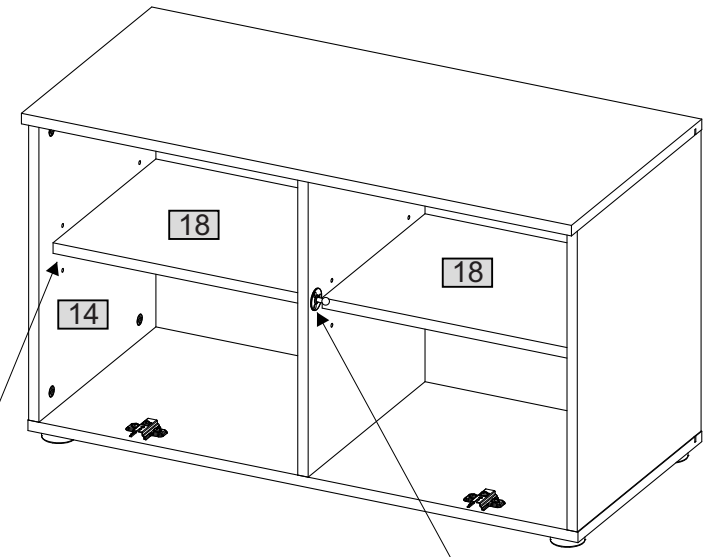
6

- J23**  x8
- P2**  3x16 x3


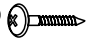
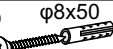



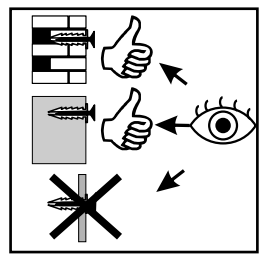
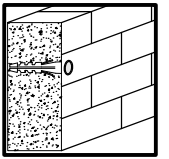
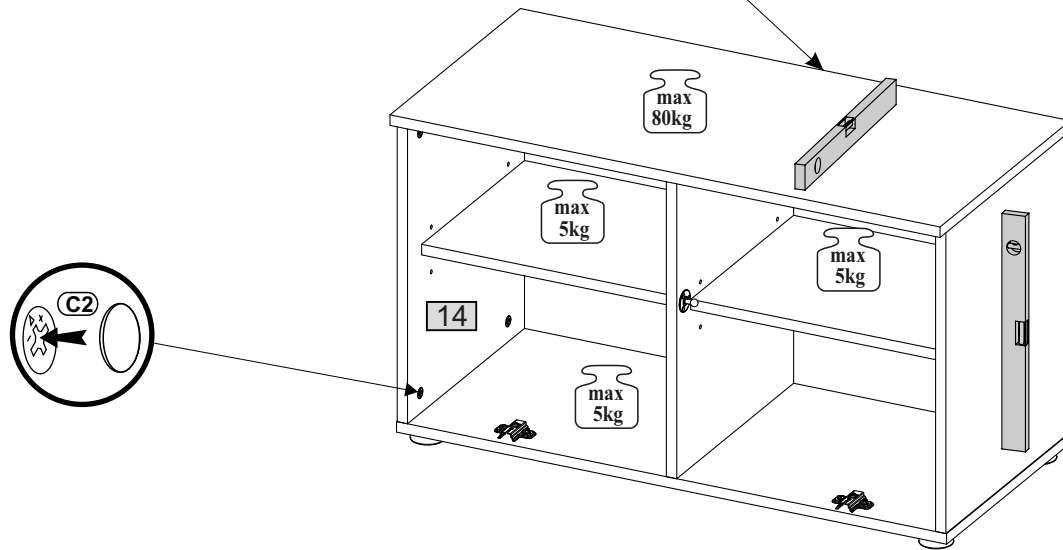
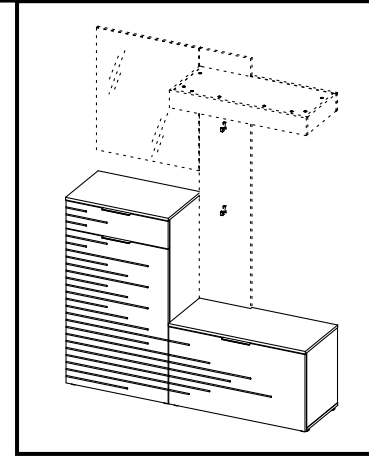
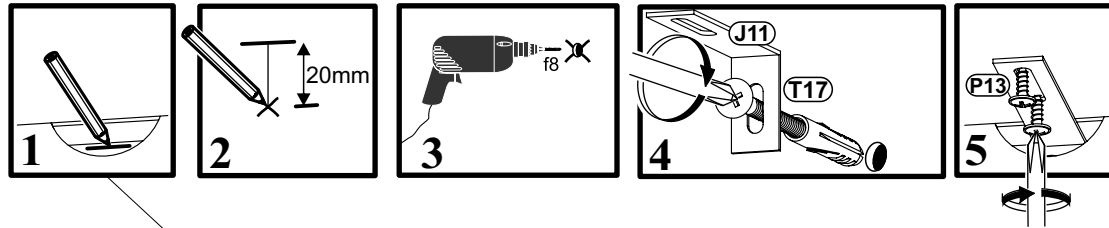
7

- R2**  x1
- W1**  x8
- P11**  4x13 x3

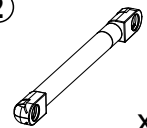




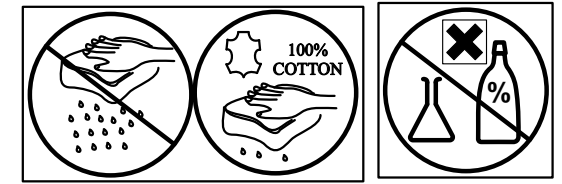
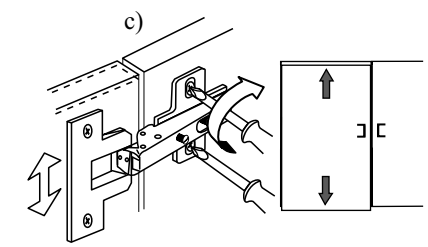
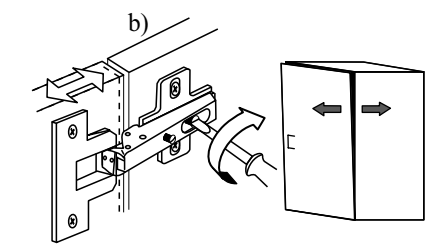
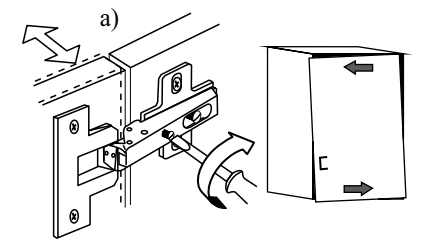
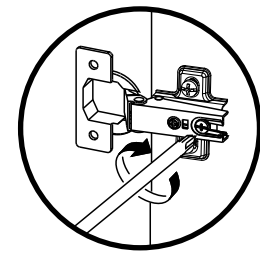
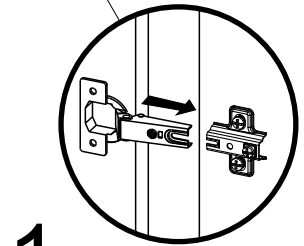
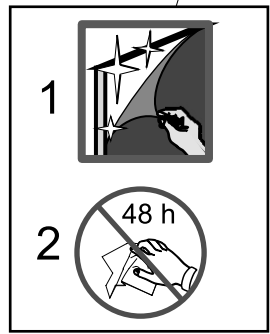
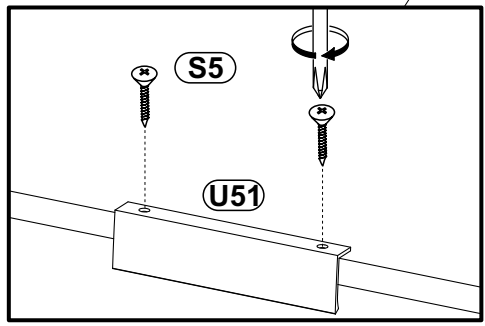
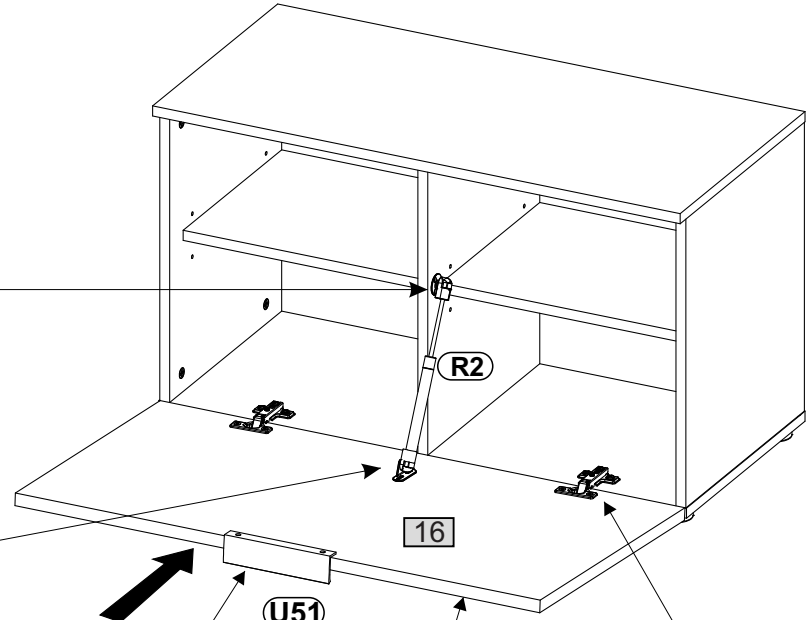
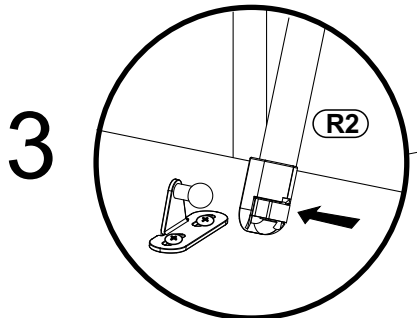
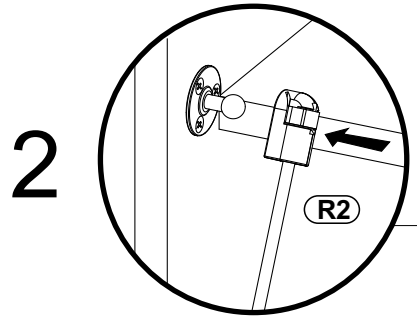
8

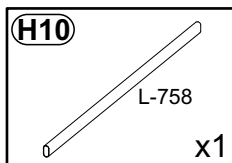
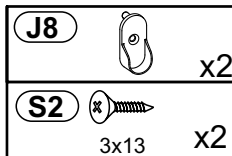
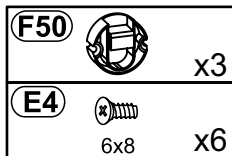
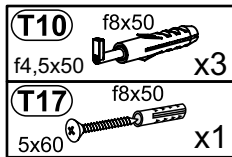
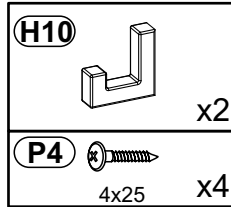
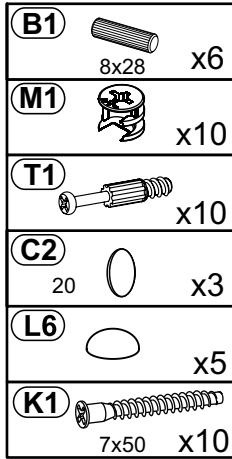
- J11**  x1
- P13**  3,5x13 x2
- T17**  φ8x50 x1
- C2**  20 x12



9

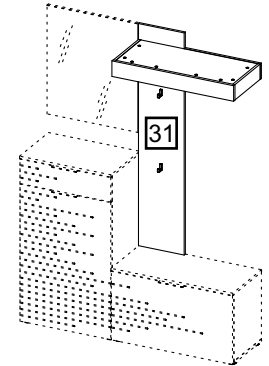
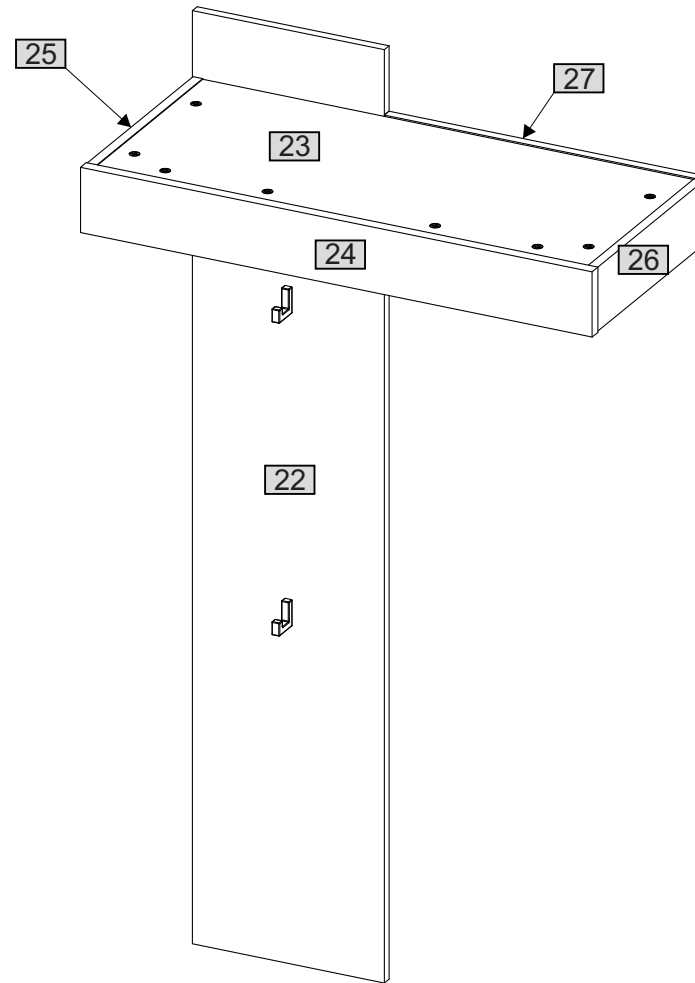
- R2**  x1
- U51**  x1
- S5**  3,5x16 x2



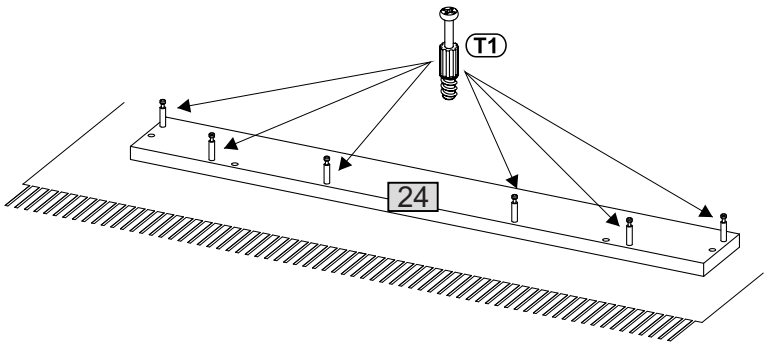
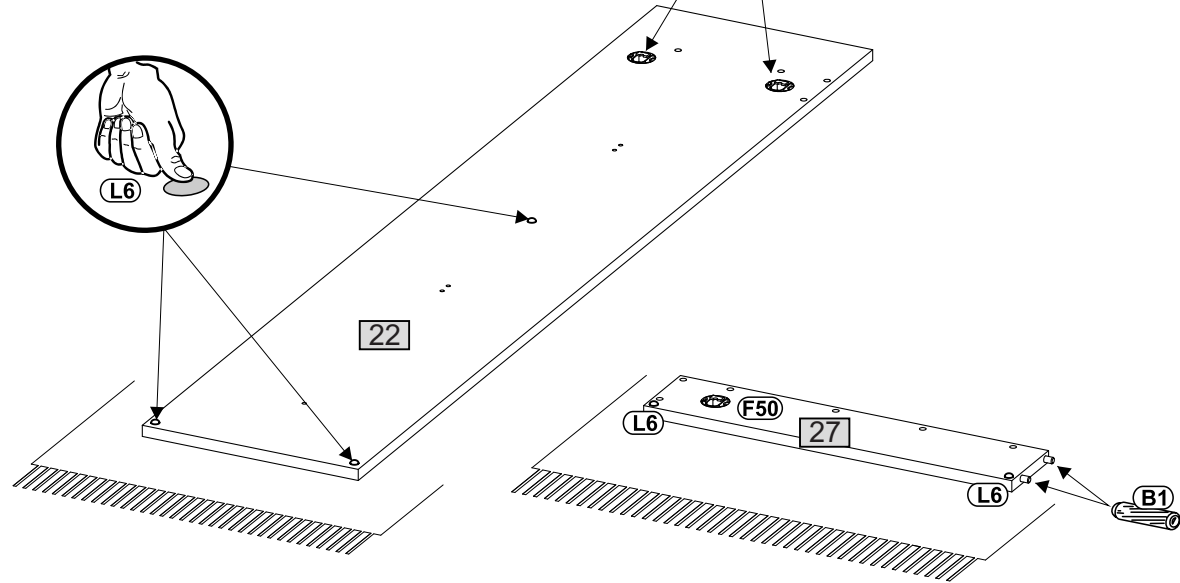
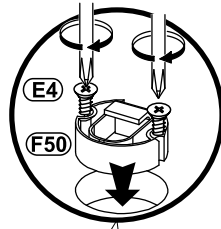
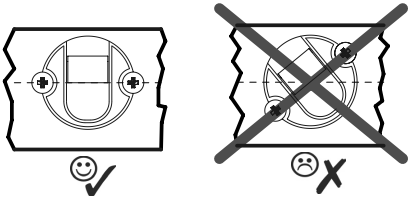
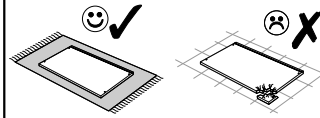
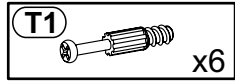
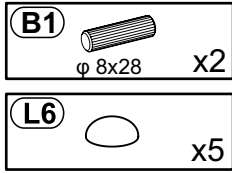
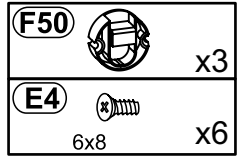


Colli 1/4

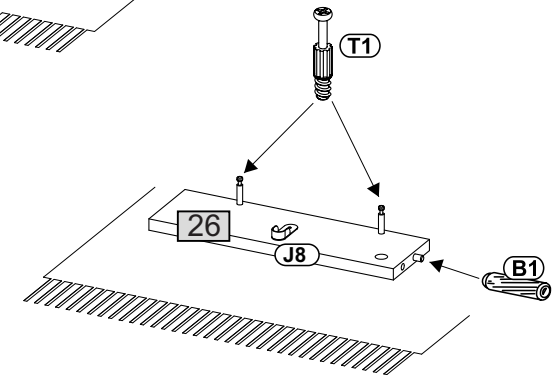
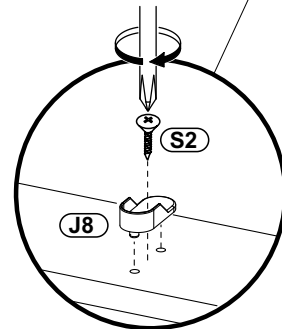
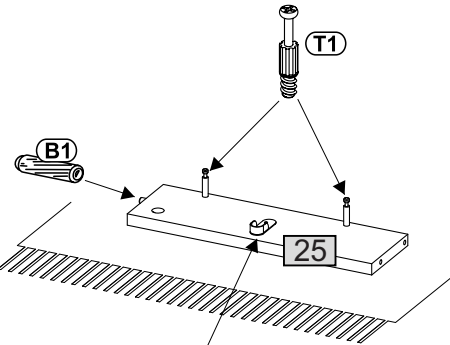
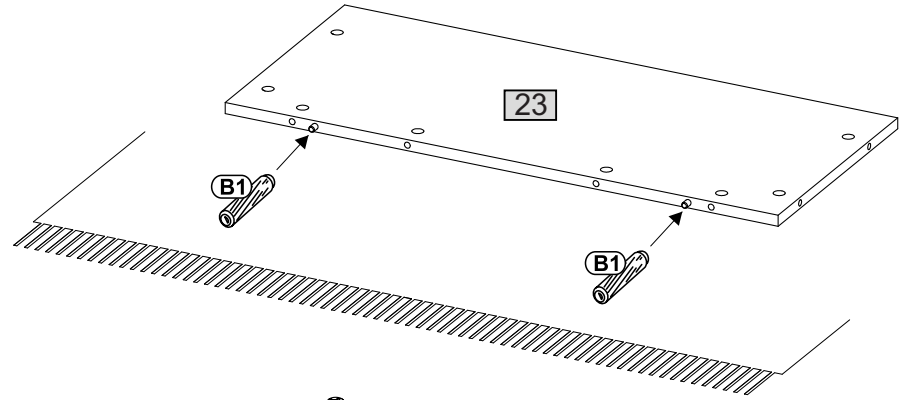
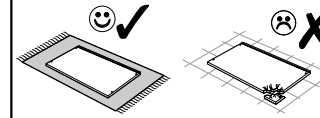
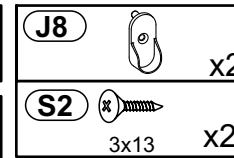
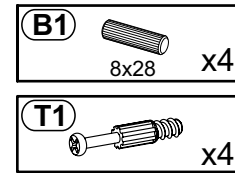
| Nr | Ausmaß | | | St | Colli |
|----|--------|-----|----|----|-------|
| 22 | 1429 | 300 | 15 | 1 | 4 |
| 23 | 768 | 332 | 15 | 1 | 4 |
| 24 | 800 | 100 | 18 | 1 | 3 |
| 25 | 332 | 98 | 15 | 1 | 4 |
| 26 | 332 | 98 | 15 | 1 | 4 |
| 27 | 500 | 100 | 15 | 1 | 4 |



1

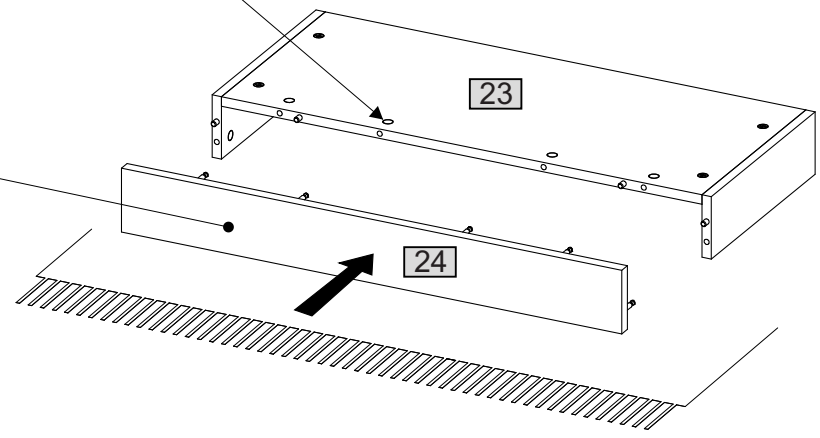
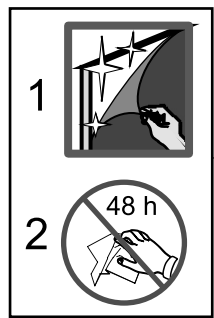
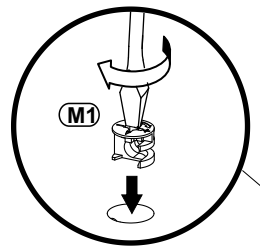
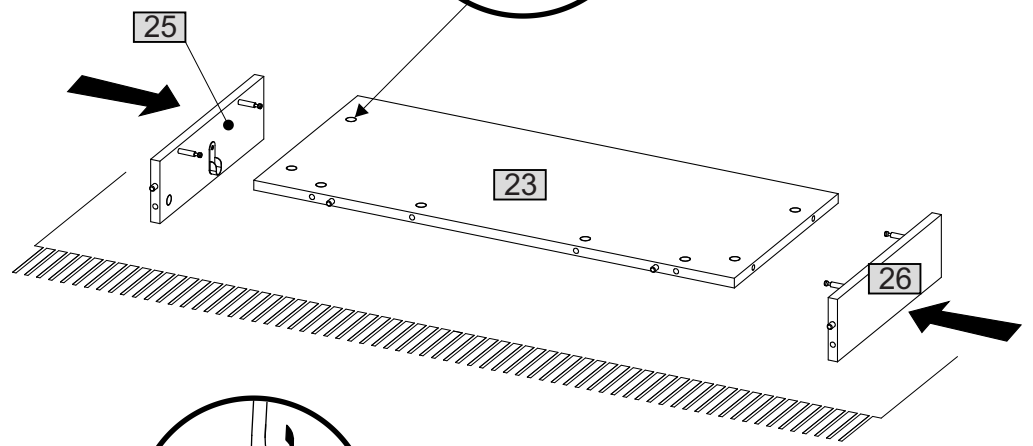
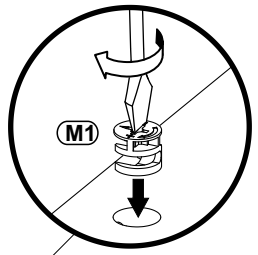
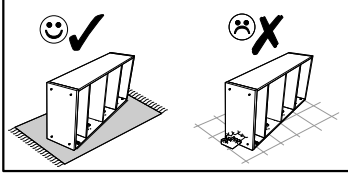


2





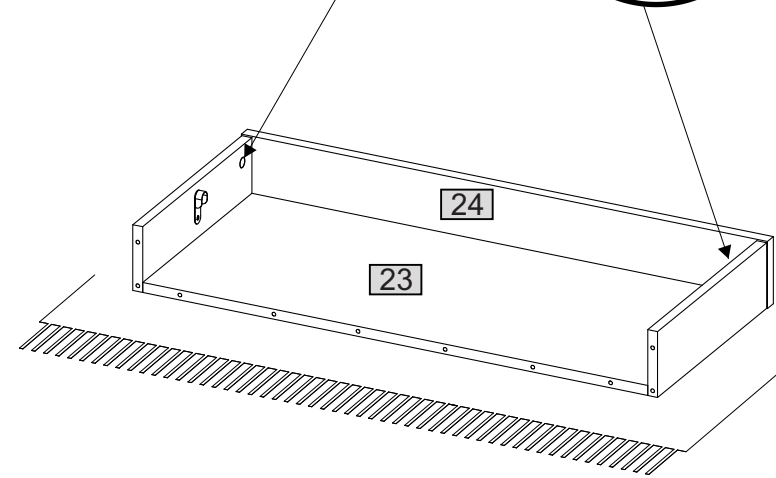
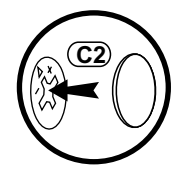
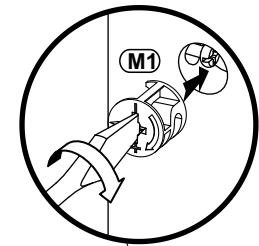
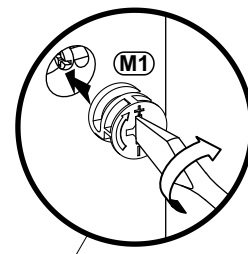
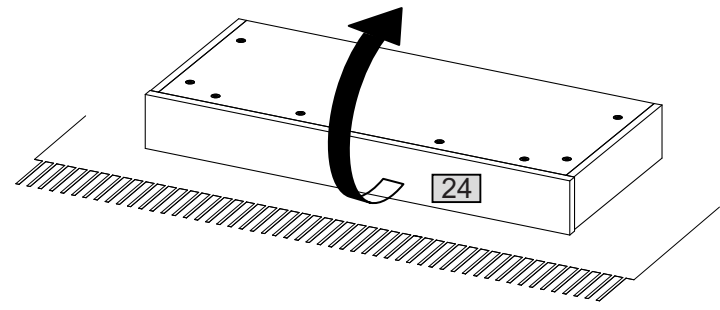
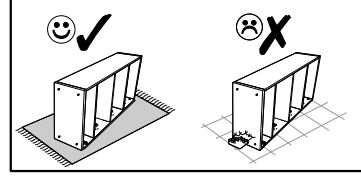
3

M1  x8

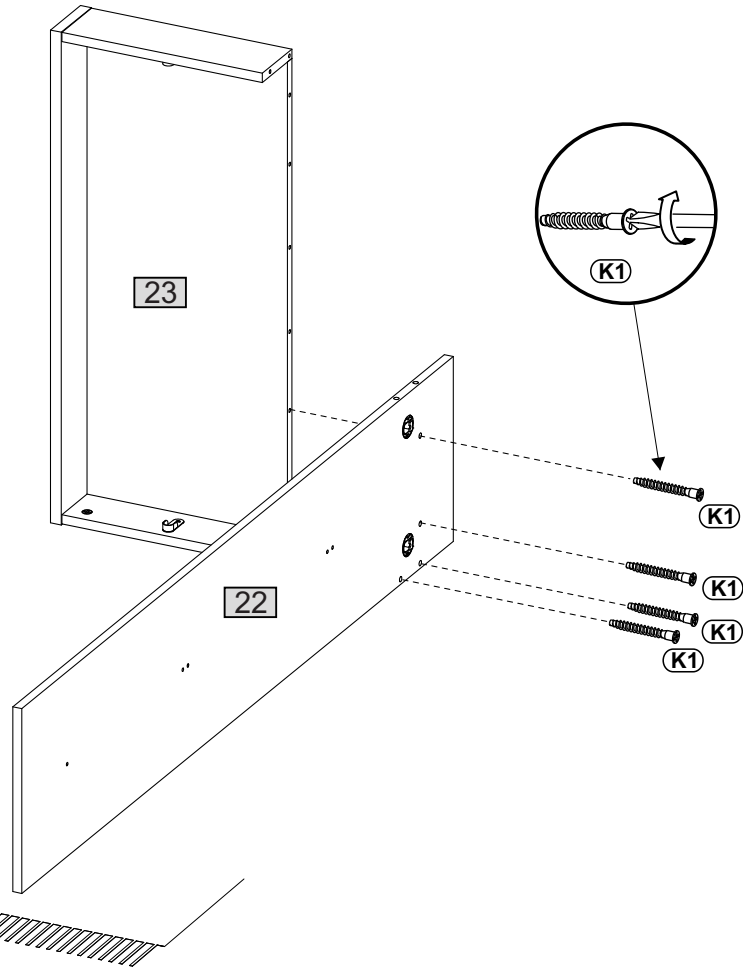
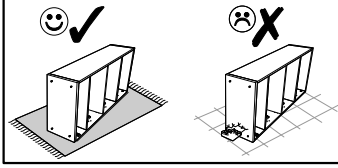
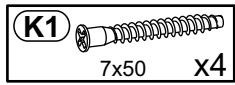


4

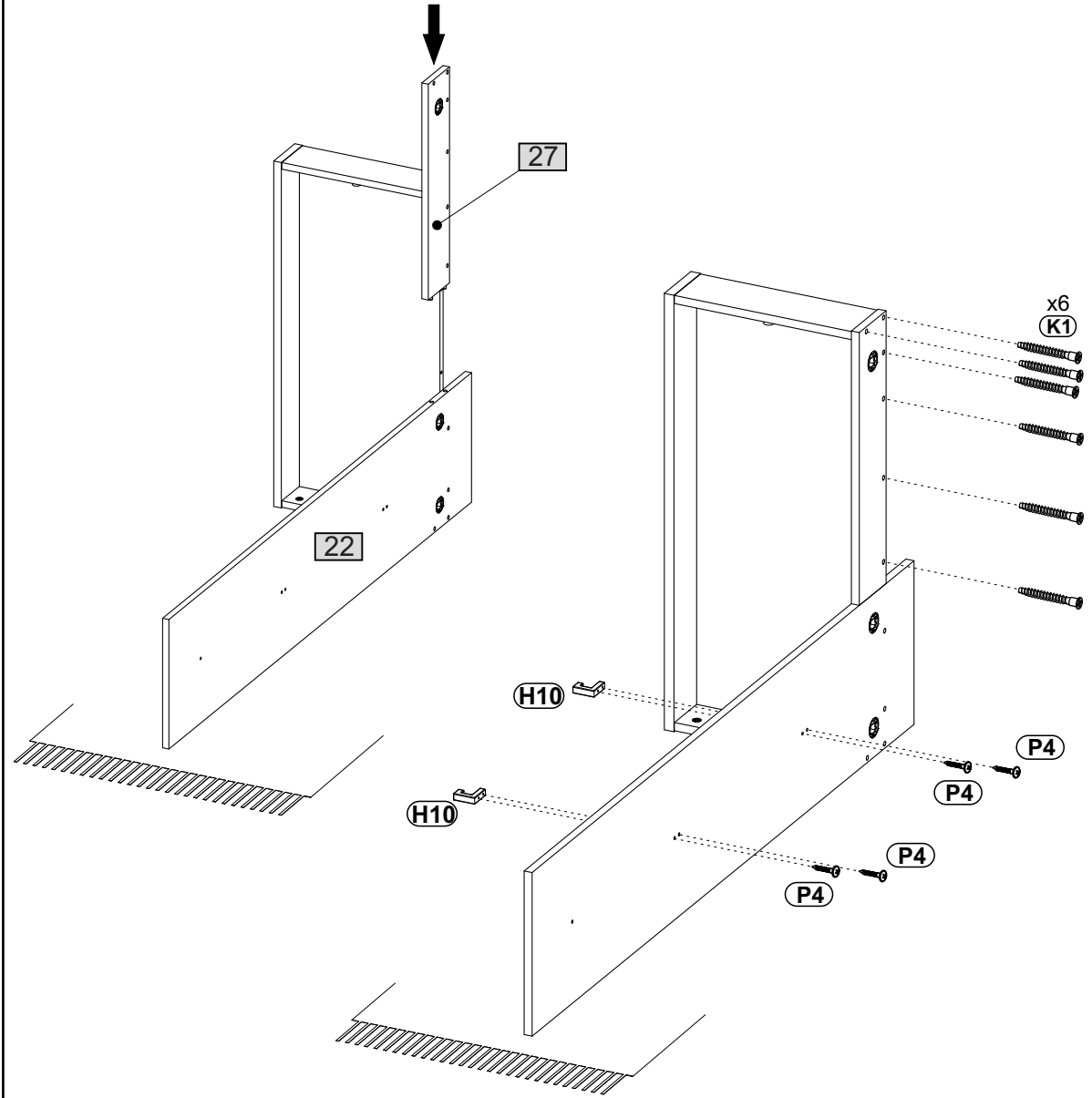
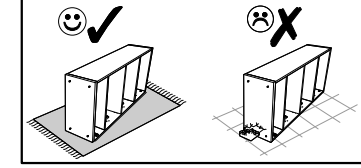
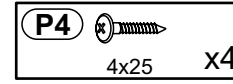
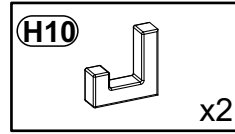
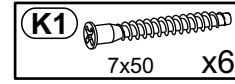
M1  x2 C2  20 x2



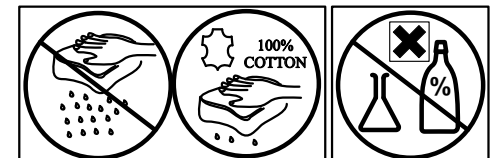
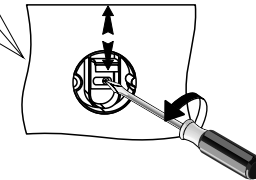
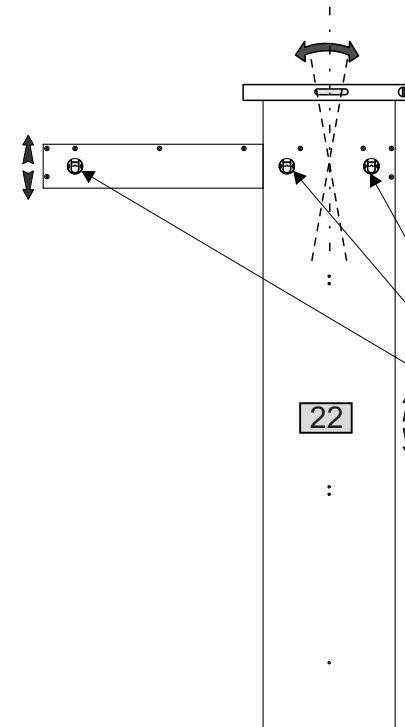
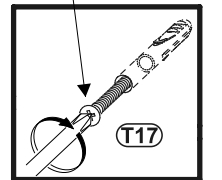
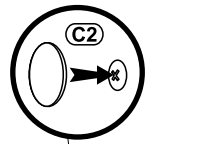
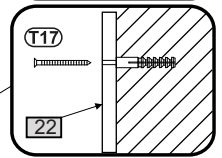
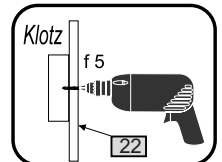
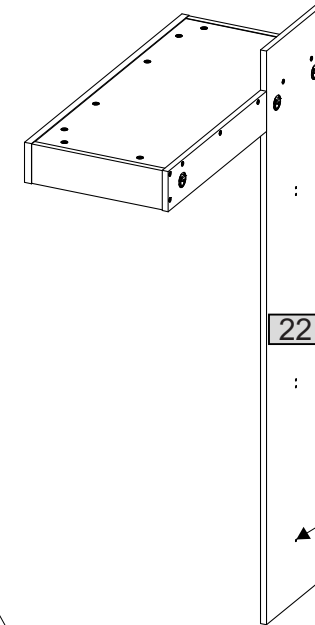
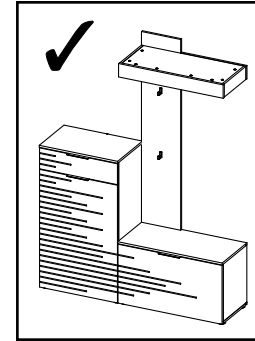
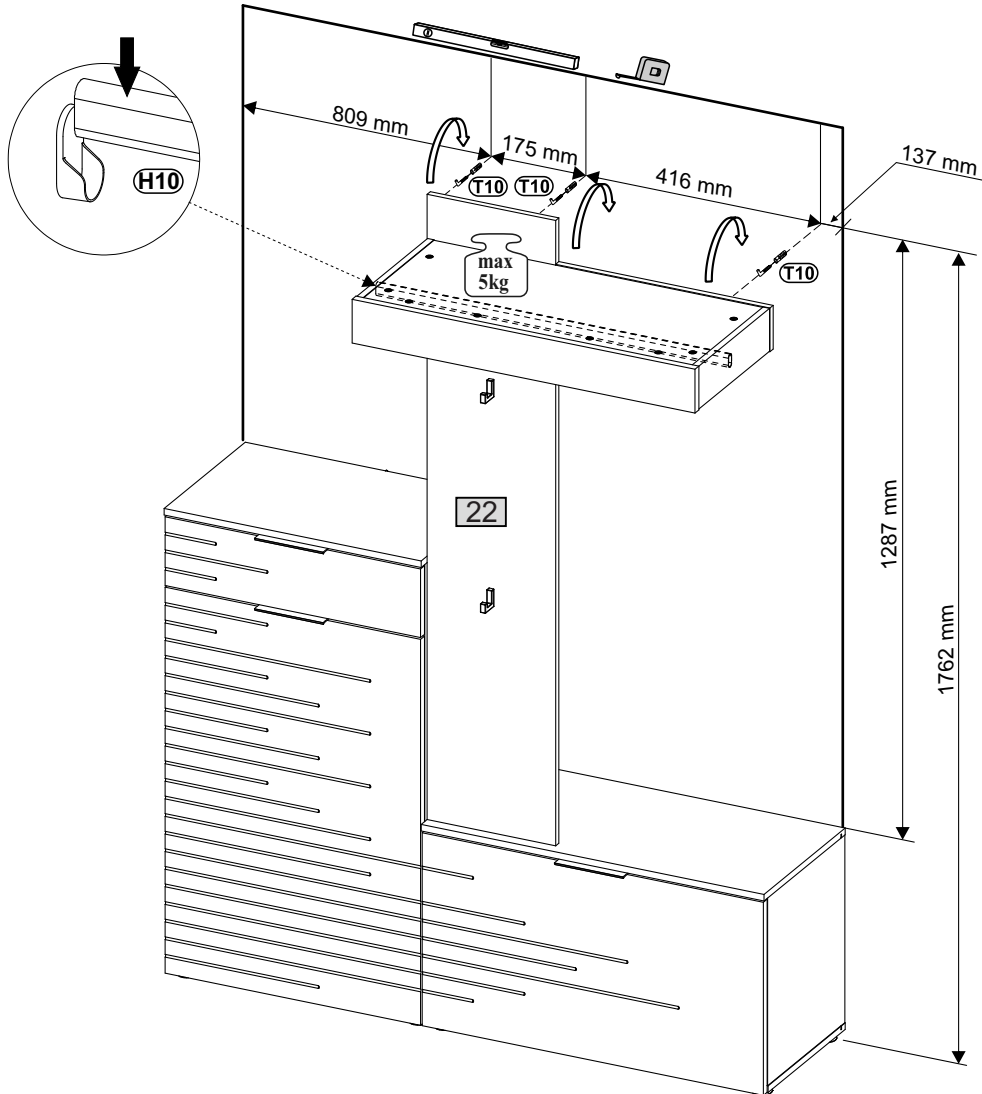
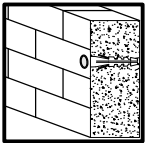
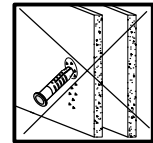
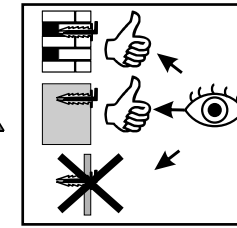
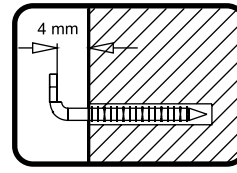
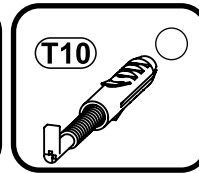
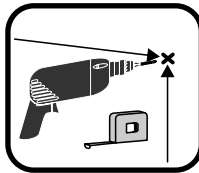
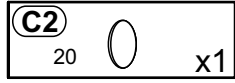
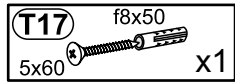
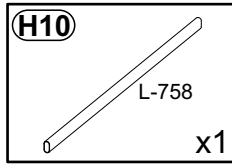
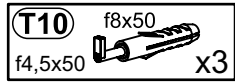
5

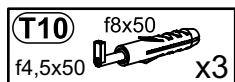
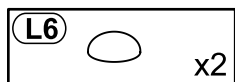
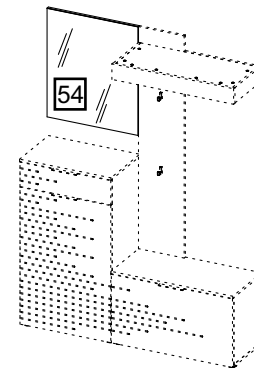


6

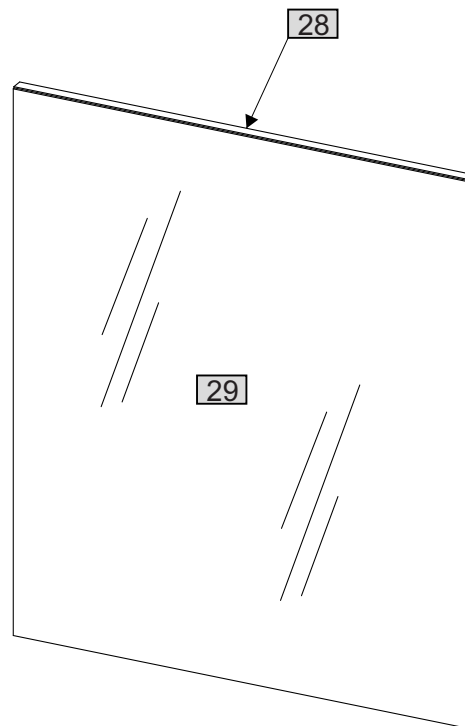


7

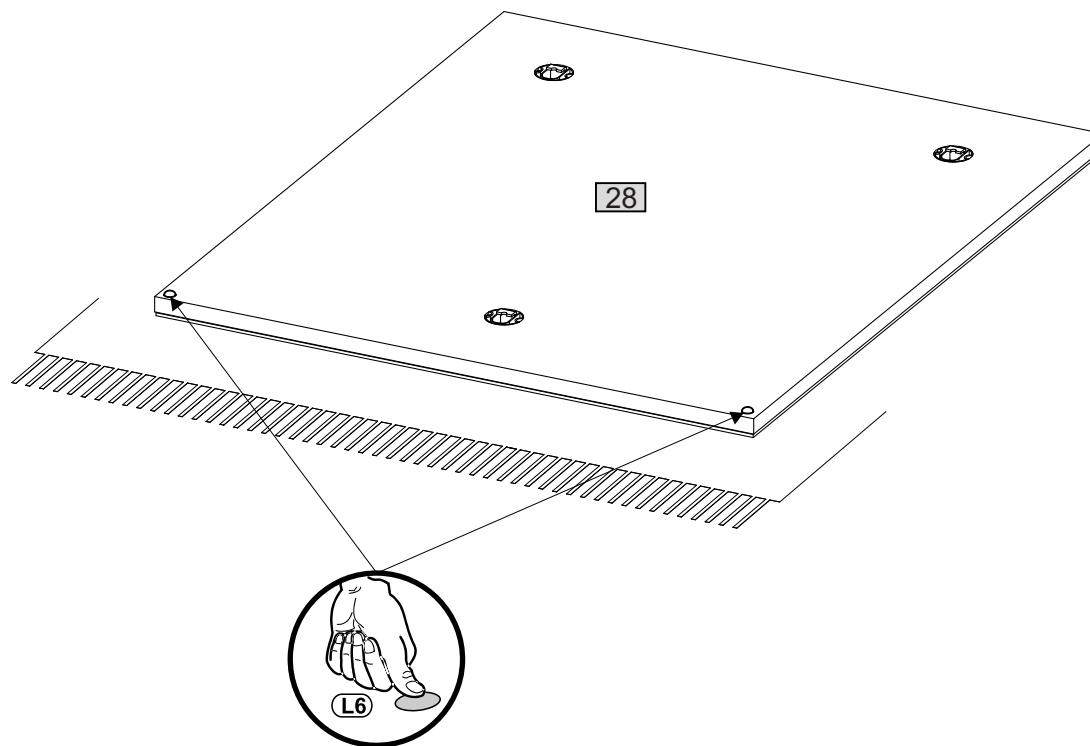
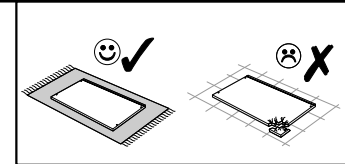
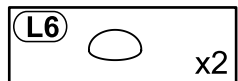




| Nr | Ausmaß | | St | Colli | |
|----|--------|-----|----|-------|---|
| 28 | 700 | 600 | 15 | 1 | 3 |
| 29 | 698 | 598 | 3 | 1 | 3 |



1



2

